

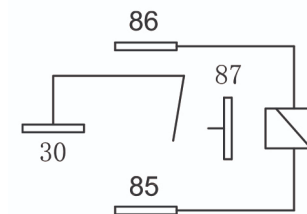
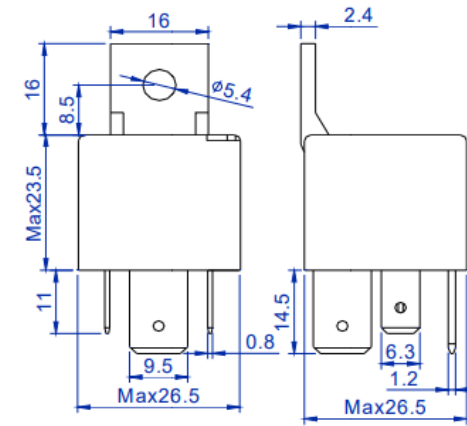
# MINIATURE RELAY (24V) - 4 PINS

**PART NR.**  
**RE626HA24B** with insulation bracket  
**RE626H24A** without insulation bracket

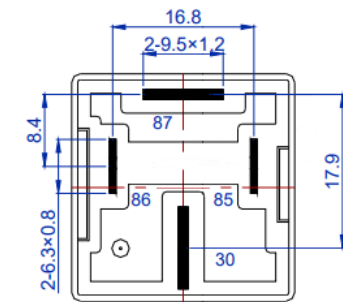
**COUNTRY OF ORIGIN**  
China

**STANDARDS**  
REACH and RoHS compliant

## PHOTO / TECHNICAL DRAWING



**1A wiring  
Standard coil**



## DIMENSIONS

L x W x H:

26,5 x 26,5 x 23,5 mm

## TECHNICAL SPECIFICATIONS

Contact termination:

4 Tab terminals, 6.3x0.8 mm (2x) and 9.5x1.2 mm (2x)

Wiring:

1A wiring, standard coil

Rating:

24V, 40A, 1,6W

**Contact Data**

Contact Form	1A (SPSTNO)、1B (SPSTNC)、1C (SPDT(B-M))		
Contact Material	Ag Alloy		
Contact Rating (resistive)	1A	1B	1C
	80A/14VDC	60A/14VDC	NO: 80A/14VDC; NC: 60A/14VDC
Max. Switching Voltage	75VDC		
Max. Switching Current	80A		
Max. Switching Power	1120W		
Contact Resistance or Voltage drop	≤100mΩ		
Electrical Life	1×10 <sup>5</sup> ops		
Mechanical Life	1×10 <sup>7</sup> ops		

**Coil Parameter**

Dash numbers	Coil voltage (VDC)		Coil resistanceΩ ±10%	Pickup voltage VDC (Max.)	Release voltage VDC (Min.)	Coil power	Operate Time	Release Time
	Rated	Max.						
6V	6V	7.8V	22.5	3.9V	0.6V	1.6W	≤10 ms	≤10 ms
12V	12V	15.6V	90	7.8V	1.2V			
24V	24V	31.2V	360	15.6V	2.4V			
48V	48V	62.4V	1440	31.2V	4.8V			

**Operation condition**

Insulation Resistance	100MΩ Min. (at 500VDC)	
Dielectric Strength	Between Contacts	50Hz 500VAC / 1 minute
	Between Coil and Contacts	50Hz 750VAC / 1 minute
Shock resistance	294m/s <sup>2</sup>	
Vibration resistance	10~55Hz double amplitude 3.0mm	
Terminals strength	100N	
Solderability	250℃±3℃ 5±0.5s	
Ambient Temperature	-40℃ ~ +85℃	
Relative Humidity	85% (at 40℃)	
Weight(Approx.)	38g, 41g(Insulation Bracket), 46g(Metal Bracket)	