

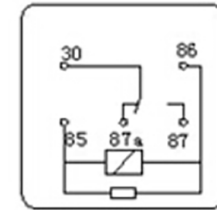
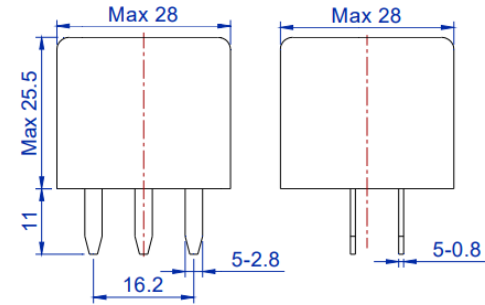
**PART NR.**  
**RE730B**

**COUNTRY OF ORIGIN**  
**China**

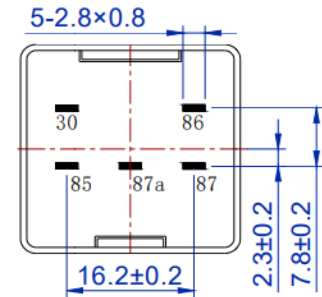
**STANDARDS**  
**REACH and RoHS compliant**

**SMALL SIZE RELAY (12V) - 5 PINS**

**PHOTO / TECHNICAL DRAWING**



**1C wiring**  
**Coil with resistor**



**DIMENSIONS**

L x W x H: 28 x 28 x 25,5 mm

**TECHNICAL SPECIFICATIONS**

Contact termination: 5 Tab terminals, 2.8x0.8 mm  
Wiring: 1C wiring, coil with resistor  
Rating: 12V, 40/30A, 1,6W

**Contact Data**

Contact Form	1A (SPSTNO), 1B (SPSTNC), 1C (SPDT(B-M))		
Contact Material	Ag Alloy		
Contact Rating (resistive)	1A	1B	1C
	40A/14VDC	30A/14VDC	NO: 40A/14VDC NC: 30A/14VDC
Max. Switching Voltage	75VDC		
Max. Switching Current	40		
Max. Switching Power	560W		
Contact Resistance or Voltage drop	≤100mΩ		
Electrical Life	1×10 <sup>5</sup> ops		
Mechanical Life	1×10 <sup>7</sup> ops		

**Coil Parameter**

Dash numbers	Coil voltage (VDC)		Coil resistance Ω±10%	Pickup voltage VDC (Max.)	Release voltage VDC(Min.)	Coil power	Operate Time	Release Time
	Rated	Max.						
006-1800	6V	7.8V	22.5	3.9V	0.6V	1.6W	≤10 ms	≤10 ms
012-1800	12V	15.6V	90	7.8V	1.2V			
024-1800	24V	31.2V	360	15.6V	2.4V			

**Operation condition**

Insulation Resistance	100MΩ Min. (at 500VDC)	
Dielectric Strength	Between Contacts	50Hz 500VAC / 1 minute
	Between Coil and Contacts	50Hz 750VAC / 1 minute
Shock resistance	200m/s <sup>2</sup> 11ms	
Vibration resistance	10~40Hz double amplitude 1..27mm	
	40~70Hz 50m/s <sup>2</sup>	
	70~100Hz double amplitude 0.5mm	
	100~500Hz 100m/s <sup>2</sup>	
Terminals strength	50N	
Solderability	235°C±2°C 3±0.5s	
Ambient Temperature	-40°C ~ +85°C	
Relative Humidity	95% (at 45°C)	
Weight(Approx.)	29g	