

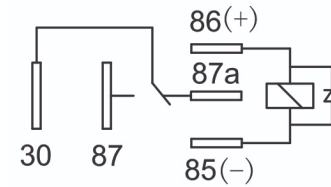
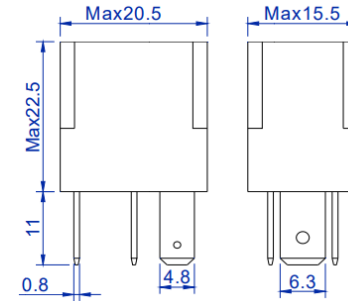
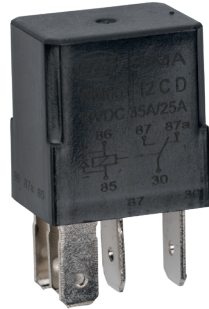
PART NR.
RE651D

COUNTRY OF ORIGIN
China

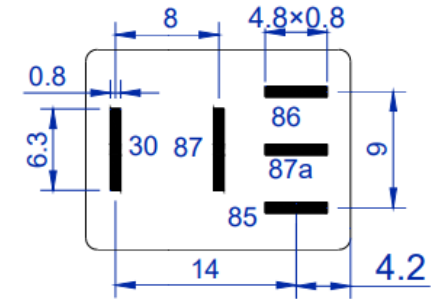
STANDARDS
REACH and RoHS compliant

MINIATURE RELAY (12V) - 5 PINS

PHOTO / TECHNICAL DRAWING



1C wiring
Coil with diode



DIMENSIONS

L x W x H:

20,5 x 15,5 x 22,5 mm

TECHNICAL SPECIFICATIONS

Contact termination:

5 Tab terminals, 6.3x0.8 (2x) and 4.8x0.8 (3x)

Wiring:

1C wiring, coil with diode

Rating:

12V, 35/25A, 1,6W

Contact Data

Contact Form	1A (SPSTNO)、1B(SPSTNC)、1C (SPDT(B-M))		
Contact Material	Ag Alloy		
Contact Rating (resistive)	1A	1B	1C
	35A/14VDC	25A/14VDC	NO: 35A/14VDC, NC: 25A/14VDC
Max. Switching Voltage	75VDC		
Max. Switching Current	35A		
Max. Switching Power	490W		
Contact Resistance or Voltage drop	≤100mΩ		
Electrical Life	1×10 ⁵ ops		
Mechanical Life	1×10 ⁷ ops		

Coil Parameter

Dash numbers	Coil voltage (VDC)		Coil resistance Ω±10%		Pickup voltage VDC (Max.)	Release voltage VDC(Min.)	Operate Time	Release Time
	Rated	Max.	1.6W	1W				
6V	6V	7.8V	22.5	35	4.2V	0.6V	≤10 ms	≤10 ms
12V	12V	15.6V	90	140	8.4V	1.2V		
24V	24V	31.2V	360	560	16.8V	2.4V		

Operation condition

Insulation Resistance	100MΩ Min. (at 500VDC)	
Dielectric Strength	Between Contacts	50Hz 500VAC / 1 minute
	Between Coil and Contacts	50Hz 750VAC / 1 minute
Shock resistance	100m/s ² 11ms	
Vibration resistance	10~40Hz double amplitude 1.27mm	
Terminals strength	100N, 50N(for PCB type)	
Solderability	235°C±2°C 3±0.5s	
Ambient Temperature	-40°C~ +85°C	
Relative Humidity	85% (at 40°C)	
Weight(Approx.)	20g	