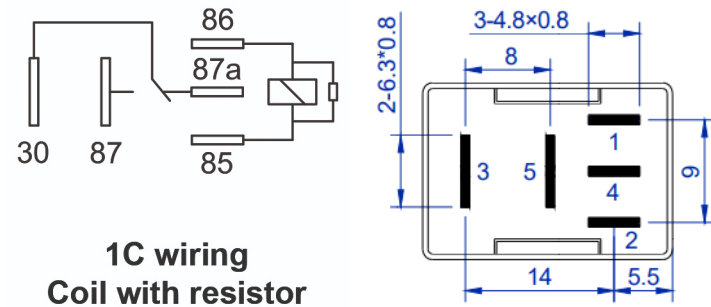
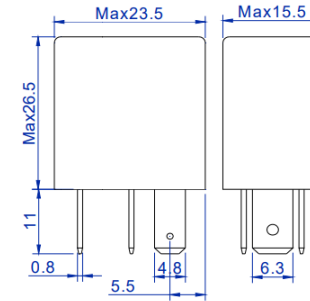


PART NR.
RE65012CRS

COUNTRY OF ORIGIN
China

STANDARDS
REACH and RoHS compliant

PHOTO / TECHNICAL DRAWING



DIMENSIONS

L x W x H: 23,5 x 15,5 x 26,5 mm

TECHNICAL SPECIFICATIONS

Contact termination: 5 Tab terminals, 6.3x0.8 (2x) and 4.8x0.8 (3x)
Wiring: 1C wiring, coil with resistor
Rating: 12V, 30/25A, 1,6W

Contact Data

Contact Form	1A (SPSTNO)、1B (SPSTNC)、1C (SPDT(B-M))		
Contact Material	Ag Alloy		
Contact Rating (resistive)	1A	1B	1C
	30A/14VDC	20A/14VDC	NO: 30A/14VDC NC: 20A/14VDC
Max. Switching Voltage	75VDC		
Max. Switching Current	30A		
Max. Switching Power	420W		
Contact Resistance or Voltage drop	≤100mΩ		
Electrical Life	1×10 ⁵ ops		
Mechanical Life	1×10 ⁷ ops		

Coil Parameter

Dash numbers	Coil voltage (VDC)		Coil resistance Ω±10%		Pickup voltage VDC (Max.)	Release voltage VDC(Min.)	Operate Time	Release Time
	Rated	Max.	Coil power 1.6W	Coil power 1.5W				
6V	6V	7.8V	22.5	24	4.2V	0.6V	≤10 ms	≤10 ms
12V	12V	15.6V	90	96	8.4V	1.2V		
24V	24V	31.2V	360	384	16.8V	2.4V		

Operation condition

Insulation Resistance	100MΩ Min. (at 500VDC)	
Dielectric Strength	Between Contacts	50Hz 500VAC / 1 minute
	Between Coil and Contacts	50Hz 750VAC / 1 minute
Shock resistance	100m/s ² 11ms	
Vibration resistance	10-40Hz double amplitude 1.27mm	
Terminals strength	100N , 50N(for PCB type)	
Solderability	235°C±2°C 3±0.5s	
Ambient Temperature	-40°C ~ +85°C	
Relative Humidity	85% (at 40°C)	
Weight(Approx.)	20g	