

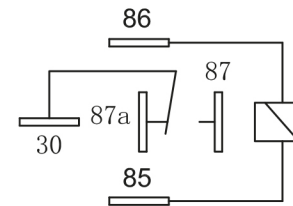
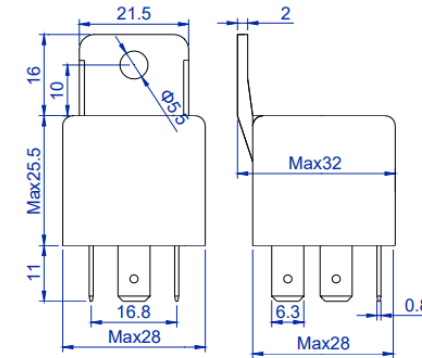
PART NR.
RE630B

COUNTRY OF ORIGIN
China

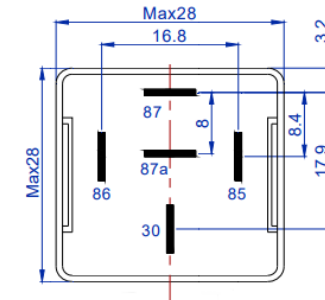
STANDARDS
REACH and RoHS compliant

MINIATURE RELAY (12V) - 5 PINS

PHOTO / TECHNICAL DRAWING



1C wiring
Standard coil



DIMENSIONS

L x W x H:

28 x 28 x 25,5 (+16) mm

TECHNICAL SPECIFICATIONS

Contact termination:

5 Tab terminals, 6.3x0.8 mm

Wiring:

1C wiring, standard coil

Rating:

12V, 40/30A, 1,6W

Contact Data

| | | | | | |
|------------------------------------|---|-----------|-----------|--------------------------------|-------------|
| Contact Form | 1A (SPSTNO), 1B (SPSTNC), 1C (SPDT(B-M)), 1U (SPSTNODM) | | | | |
| Contact Material | Ag Alloy | | | | |
| Contact Rating (resistive) | | 1A | 1B | 1C | 1U |
| | 60 | 60A/14VDC | 40A/14VDC | NO: 60A/14VDC NC: 40A/14VDC | 2×30A/14VDC |
| | 40 | 40A/14VDC | 30A/14VDC | NO: 40A/14VDC NC: 30A/14VDC | 2×20A/14VDC |
| Max. Switching Voltage | 75VDC | | | | |
| Max. Switching Current | 60A/40A | | | | |
| Max. Switching Power | 840W/560W | | | | |
| Contact Resistance or Voltage drop | ≤100mΩ | | | | |
| Electrical Life | 1×10 ⁵ ops | | | | |
| Mechanical Life | 1×10 ⁷ ops | | | | |

Coil Parameter

| Dash numbers | Coil voltage (VDC) | | Coil resistanceΩ ±10% | Pickup voltage VDC (Max.) | Release voltage VDC (Min.) | Coil power | Operate Time | Release Time |
|--------------|--------------------|-------|-----------------------|---------------------------|----------------------------|------------|--------------|--------------|
| | Rated | Max. | | | | | | |
| 6V | 6V | 7.8V | 22.5 | 3.9V | 0.6V | 1.6W | ≤10 ms | ≤10 ms |
| 12V | 12V | 15.6V | 90 | 7.8V | 1.2V | | | |
| 24V | 24V | 31.2V | 360 | 15.6V | 2.4V | | | |
| 48V | 48V | 62.4V | 1440 | 31.2V | 4.8V | | | |

Operation condition

| | | |
|-----------------------|--|------------------------|
| Insulation Resistance | 100MΩ Min. (at 500VDC) | |
| Dielectric Strength | Between Contacts | 50Hz 500VAC / 1 minute |
| | Between Coil and Contacts | 50Hz 750VAC / 1 minute |
| Shock resistance | 147m/s ² 11ms | |
| Vibration resistance | 10-40Hz double amplitude 1.5mm | |
| Terminals strength | 100N | |
| Solderability | 235°C±2°C 3±0.5s | |
| Ambient Temperature | -40°C ~ +85°C | |
| Relative Humidity | 85% (at 40°C) | |
| Weight(Approx.) | 32g, 33g(Insulation Bracket), 34g(Metal Bracket) | |