

**PART NR.**

- RE629A15** 15A fuse
- RE629A25** 25A fuse
- RE629** 30A fuse

**COUNTRY OF ORIGIN**

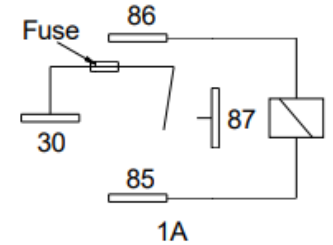
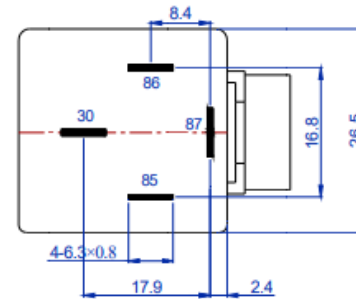
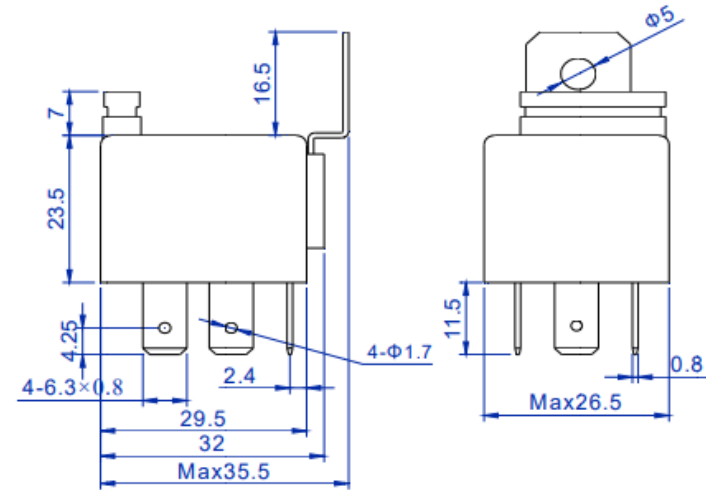
China

**STANDARDS**

REACH and RoHS compliant

**SMALL SIZE RELAY (12V) WITH METAL BRACKET AND FUSE - 4 PINS**

**PHOTO / TECHNICAL DRAWING**



**DIMENSIONS**

L x W x H:

32 x 26,5 x 23,5 (+16,5) mm

**TECHNICAL SPECIFICATIONS**

Contact termination:

4 Tab terminals, 6.3x0.8 mm

Wiring:

1A, standard coil with fuse

Rating:

12V, 15A/25A/30A, 1,6W

**Contact Data**

Contact Form	1A (SPSTNO)
Contact Material	Ag Alloy
Contact Rating (resistive)	1A 30A/14VDC
Max. Switching Voltage	75VDC
Max. Switching Current	30A
Max. Switching Power	420W
Contact Resistance or Voltage drop	≤50mΩ
Electrical Life	1×10 <sup>5</sup> ops
Mechanical Life	1×10 <sup>7</sup> ops

**Coil Parameter**

Dash numbers	Coil voltage (VDC)		Coil resistance Ω±10%	Pickup voltage VDC (Max.)	Release voltage VDC (Min.)	Coil power	Operate Time	Release Time
	Rated	Max.						
6V	6V	7.8V	22.5	3.9V	1.2V	1.6W	≤10 ms	≤10 ms
12V	12V	15.6V	90	7.8V	2.4V			
24V	24V	31.2V	360	15.6V	4.8V			

**Operation condition**

Insulation Resistance	100MΩ Min. (at 500VDC)	
Dielectric Strength	Between Contacts	50Hz 500VAC / 1 minute
	Between Coil and Contacts	50Hz 750VAC / 1 minute
Shock resistance	147m/s <sup>2</sup> 11ms	
Vibration resistance	10~40Hz double amplitude 1.5mm	
Terminals strength	100N	
Solderability	235°C±2°C 3±0.5s	
Ambient Temperature	-40°C ~ +85°C	
Relative Humidity	85% (at 40°C)	
Weight(Approx.)	32g	