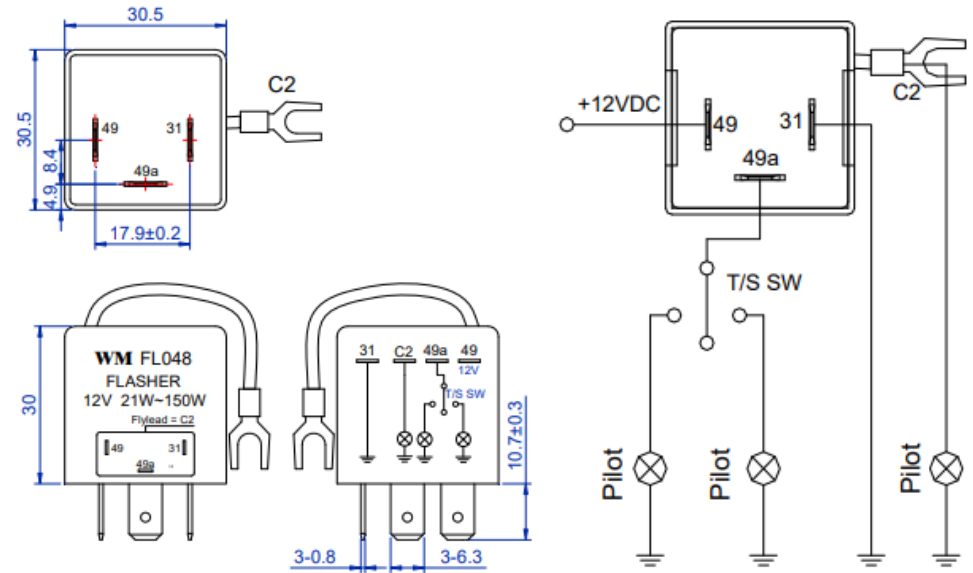


PART NR.  
**RE048W**

COUNTRY OF ORIGIN  
**China**

STANDARDS  
**REACH and RoHS compliant**

**PHOTO / TECHNICAL DRAWING**



**DIMENSIONS**

L x W x H:

30,5 x 30,5 x 30 mm

**TECHNICAL SPECIFICATIONS**

Contact termination:

3 Tab terminals 6.3x0.8 mm and  
1 fly lead

Special feature:

Bulb failure indication

Rating:

12V, 21W ~150W

### Technical Characteristics

Rated Voltage	12VDC, 24VDC
Operating Voltage	11VDC ~ 15VDC, 22VDC ~ 30VDC
Test Voltage	13VDC±0.2VDC, 26VDC ± 0.4VDC
Test Temperature	20°C±2°C
Switch Power	21W ~ 150W
Bulb failure warning	>140 times per minute
Flashing Frequency	60 ~ 120 times per minute
Duty Ratio	30% ~ 70%
Operating Temperature	-40°C ~ +80°C
Life	400working hours
Weight(Approx.)	21g