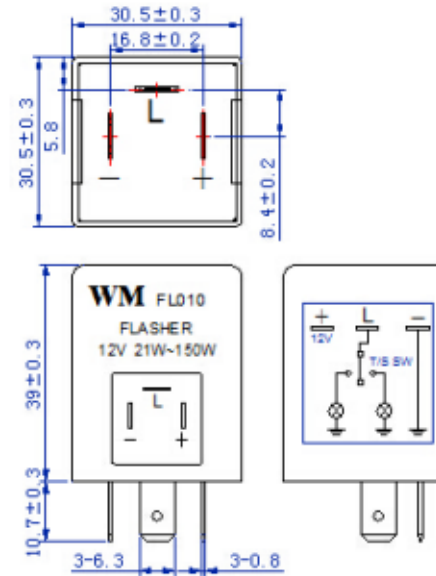


PART NR.
RE010V

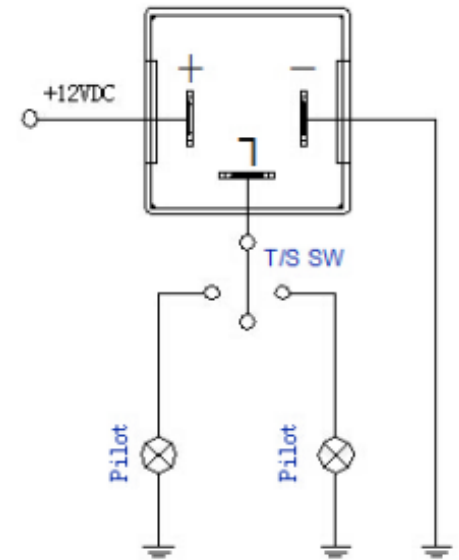
COUNTRY OF ORIGIN
China

STANDARDS
REACH and RoHS compliant

PHOTO / TECHNICAL DRAWING



FLASHER RELAY (12V) - 3 PINS



DIMENSIONS

L x W x H: 30,5 x 30,5 x 39 mm

TECHNICAL SPECIFICATIONS

Contact termination: 3 Tab terminals, 6.3x0.8 mm
Special feature: Bulb failure indication
Rating: 12V, 21W ~150W

Technical Characteristics

Rated Voltage	12VDC, 24VDC
Operating Voltage	11VDC ~ 15VDC, 22VDC ~ 30VDC
Test Voltage	13VDC ± 0.2VDC, 26VDC ± 0.4VDC
Test Temperature	20°C±2°C
Switch Power	21W ~ 150W
Bulb failure warning	>140 times per minute
Flashing Frequency	60 ~ 120 times per minute
Duty Ratio	30% ~ 70%
Operating Temperature	-40°C ~ +80°C
Life	400 working hours
Weight(Approx.)	30g