

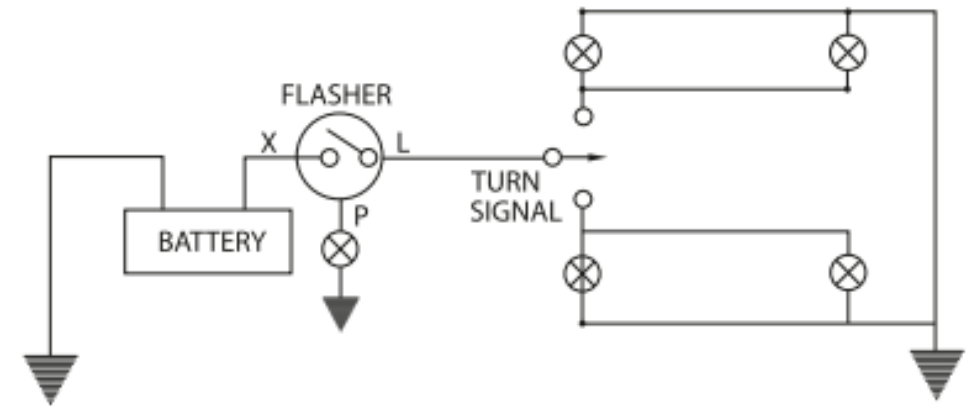
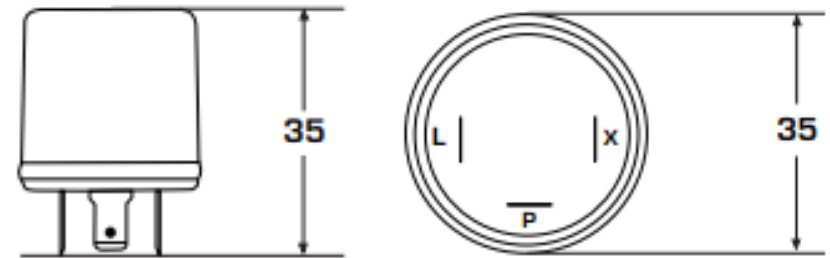
PART NR.
HD13

COUNTRY OF ORIGIN
Denmark

STANDARDS
REACH and RoHS compliant

FLASHER RELAY (12V) - 3 PINS

PHOTO / TECHNICAL DRAWING



DIMENSIONS

Ø x H: 35 x 35 mm

TECHNICAL SPECIFICATIONS

Contact termination: 3 Standard ISO tab terminals
Special feature: Separate pilot light output terminal
Rating: For 1 to 10 12V/21W bulbs

HD13

12 Volt flasher

- Standard ISO Terminals
- Unique Tank Circuit Controller
- High Temperature Plastic Enclosure
- Separate Pilot Light Output Terminal
- Functions in Forward or Reverse Polarity

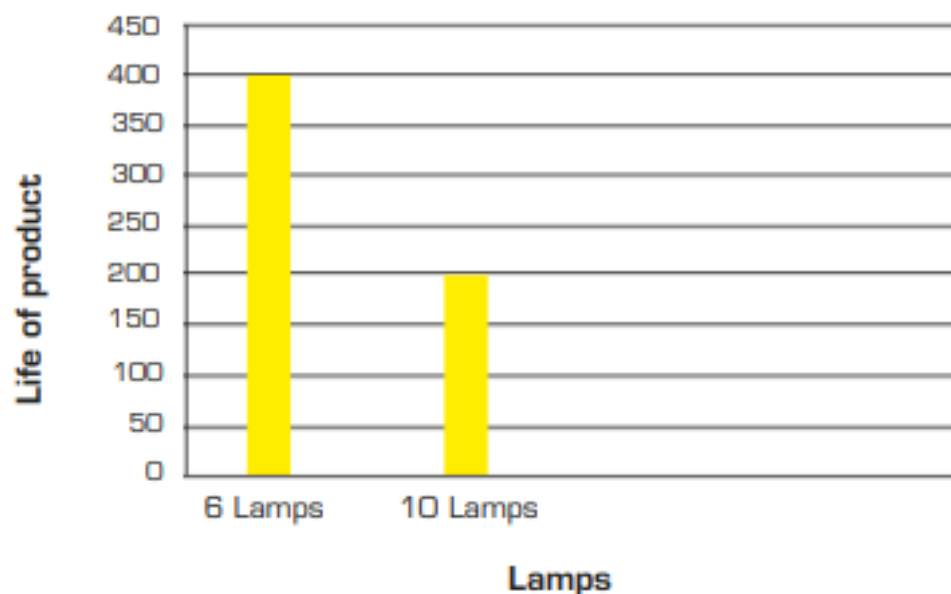
Application

- ALL 12 VOLTS FLASHER APPLICATIONS
 - For 3 terminal ISO Style Flasher Applications
 - For 1 to 10, 21 Watt, 12 Volt Lamps

Design Life

- 200 Hours Turn Signal, 36 Hours Hazard

Technology vs design life vs lamp load



Characteristic	Min	Max	Unit
Load Rating	1	10	Lamps
Flash Rate	60	120	Flash/min
Duty Cycle	35	75	%
Time to 1st Flash		.75	Seconds
Voltage Drop		0.45	V @ Max Load
Voltage Range	11	15	Volts
Temperature Range	0	125	Degrees C