

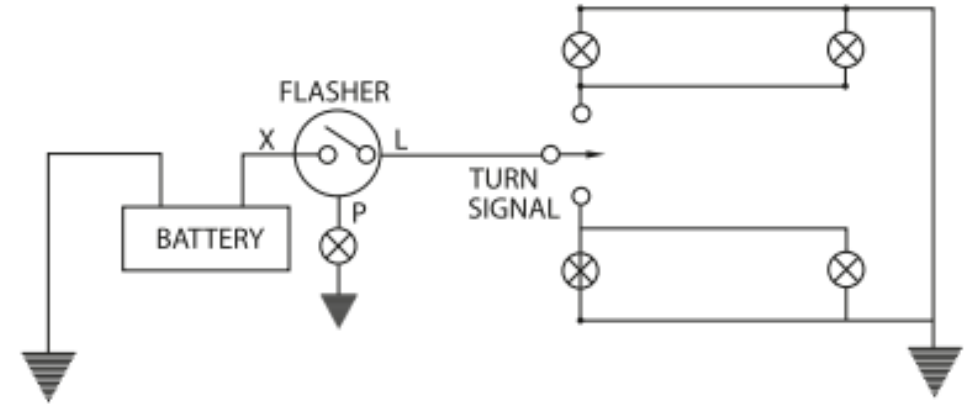
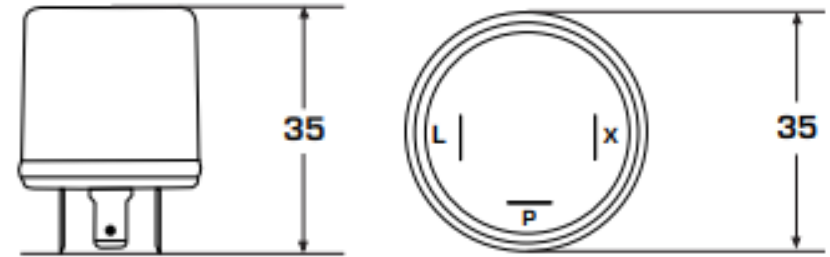
**PART NR.**  
**EG23**

**COUNTRY OF ORIGIN**  
**Denmark**

**STANDARDS**  
**REACH and RoHS compliant**

## FLASHER RELAY (24V) - 3 PINS

### PHOTO / TECHNICAL DRAWING



### DIMENSIONS

Ø x H: 35 x 35 mm

### TECHNICAL SPECIFICATIONS

Contact termination: 3 Standard ISO tab terminals  
Special feature: Separate pilot light output terminal  
Rating: For 1 to 6 24V/21W bulbs

## EG23

### 24 Volt flasher with pilot

- Pilot Light Output
- Standard ISO Terminals
- Unique Tank Circuit Controller
- High Temperature Plastic Enclosure
- Functions in Forward or Reverse Polarity

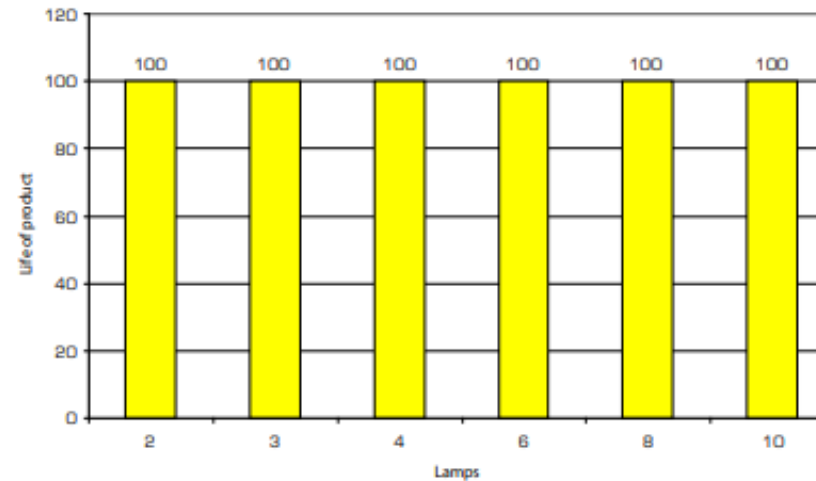
### Application

- 24 VOLTS FLASHER APPLICATIONS
  - For 3 terminal ISO style flasher Applications
  - For 1 to 6, 21 Watt, 24 Volt Lamps

### Design Life

- 100 Hours Turn Signal or
- 36 Hours Hazard Warning

Technology vs design life vs lamp load



Characteristic	Min	Max	Unit
Load Rating	1	10	Lamps
Flash Rate	60	120	Flash/min
Duty Cycle	35	75	%
Time to 1st Flash		.75	Seconds
Voltage Drop		0.45	V @ Max Load
Voltage Range	22	30	Volts
Temperature Range	-32	+65	Degrees C