

# LED PILOT LIGHT

## PART NR.

**AE-ZZ142** amber

**AE-ZZ143** green

**AE-ZZ144** red

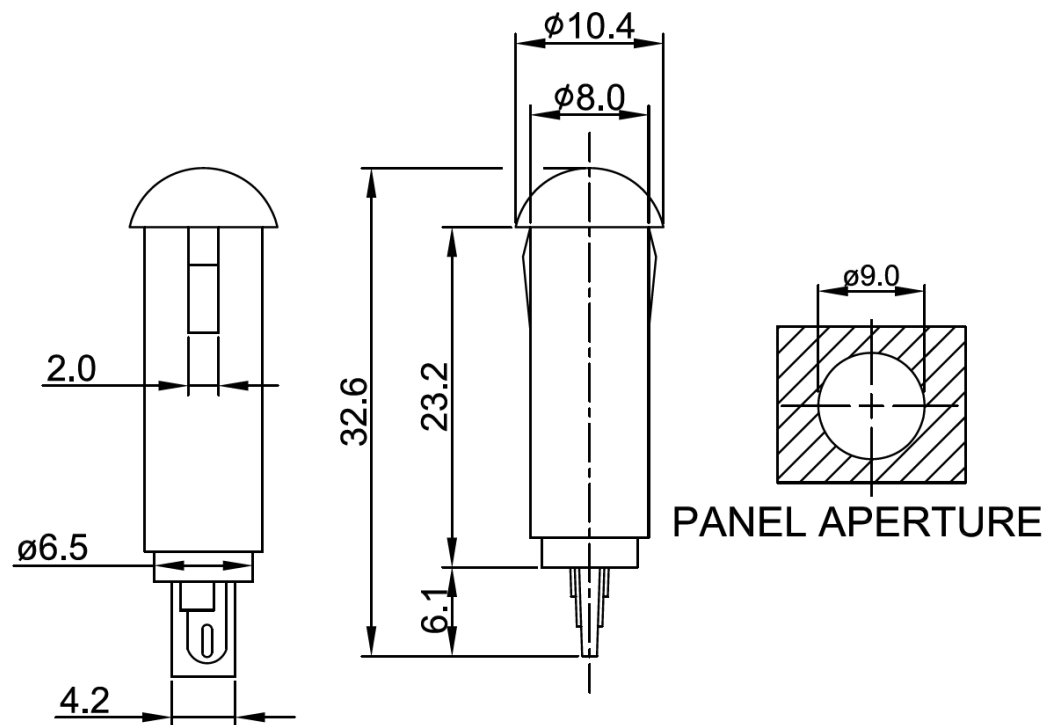
## COUNTRY OF ORIGIN:

Taiwan

## STANDARDS:

REACH and RoHS compliant

## PHOTO / TECHNICAL DRAWING



## DIMENSIONS

L x W:

32,6 x 8,0/10,4 mm

## TECHNICAL SPECIFICATIONS

Contact termination:

2 Tab terminals

Panel aperture:

Ø 9 mm

Rating:

12V