

PART NR.

- AE-ZZ101** amber
- AE-ZZ102** blue
- AE-ZZ103** red
- AE-ZZ104** green

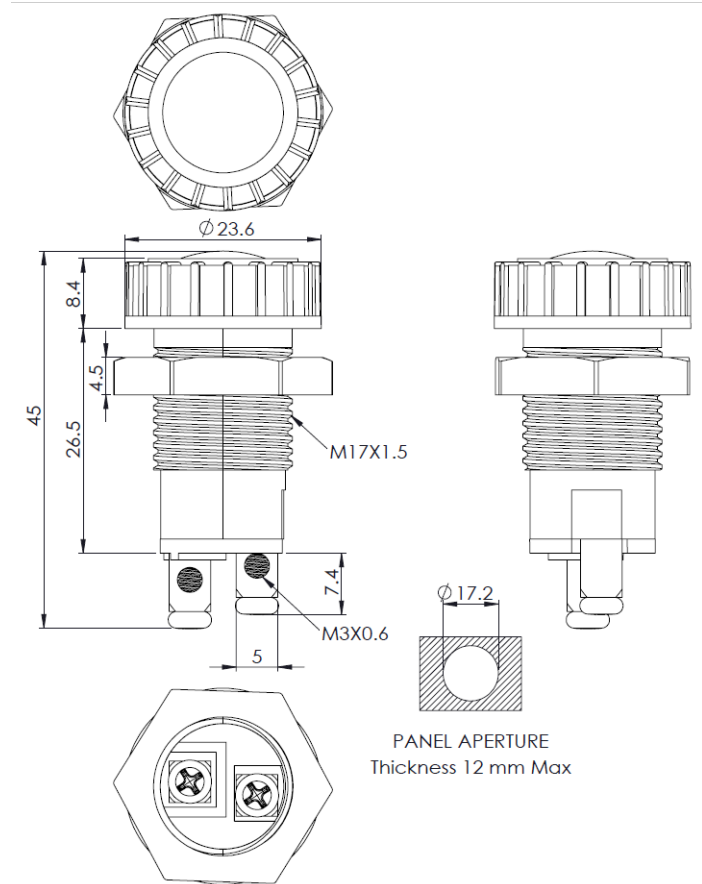
COUNTRY OF ORIGIN:

Taiwan

STANDARDS:

REACH and RoHS compliant

PHOTO / TECHNICAL DRAWING



DIMENSIONS

L x \varnothing :

45 x 23,6 mm

TECHNICAL SPECIFICATIONS

Material contacts:

Bronze

Contact termination:

2 Screw terminals

Panel aperture:

$\varnothing 17,2$ mm

Thickness panel:

Max. 12 mm

Matching bulb:

BA9s (not included)

Rating:

6-24V