

PART NR.
SC01P009

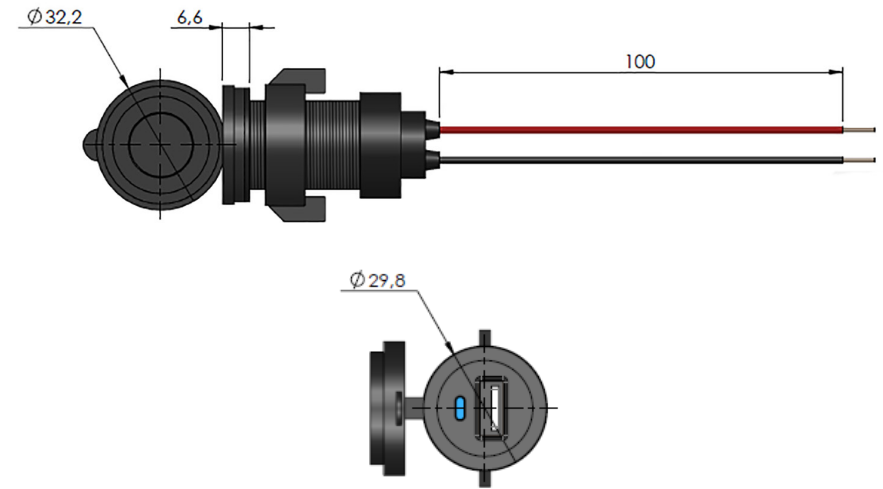
COUNTRY OF ORIGIN:
China

STANDARDS:
REACH and RoHS compliant

- CHARACTERISTICS:**
- Built-in USB-socket
 - With protective cap

BUILT-IN USB-SOCKET WITH PROTECTIVE CAP

PHOTO / TECHNICAL DRAWING



DIMENSIONS

L x \varnothing : 54 x 29,8 (+8) mm

TECHNICAL SPECIFICATIONS

| | |
|----------------------|--------------------------|
| Contact termination: | Prewired, black and red |
| Mounting stem: | Length 27 mm, thread M23 |
| Panel aperture: | $\varnothing 24$ mm |
| Voltage/amperage: | 12-24V in 5V/2,1A out |