

PART NR.
SC01P030

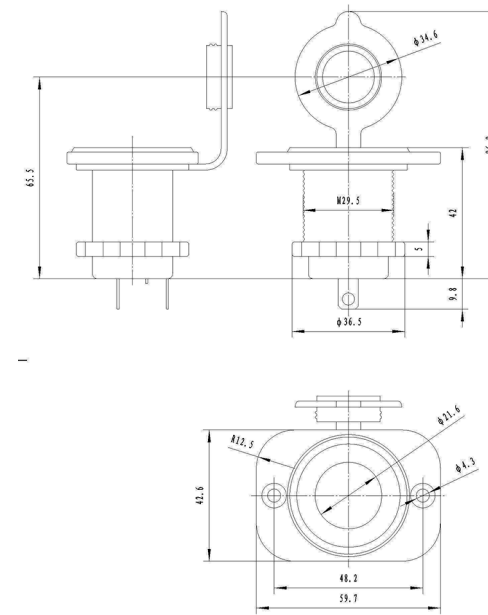
COUNTRY OF ORIGIN:
China

STANDARDS:
REACH and RoHS compliant

- CHARACTERISTICS:**
- Built-in socket for standard plugs
 - With protective cap

BUILT-IN SINGLE SOCKET WITH PROTECTIVE CAP

PHOTO / TECHNICAL DRAWING



DIMENSIONS

L x W x H: 42,6 x 59,7 x 42 (+9,8) mm
Inner Ø: 21,6 mm

TECHNICAL SPECIFICATIONS

Contact termination: 2 Tab terminals, 6.3x0.8 mm
Mounting stem: Length 32,5 mm, thread M29,5
Panel aperture: Ø 30 mm
Voltage: 12-24V
Max. amperage: 10A