

**PART NR.**  
**SC01P012**

**COUNTRY OF ORIGIN:**  
Germany

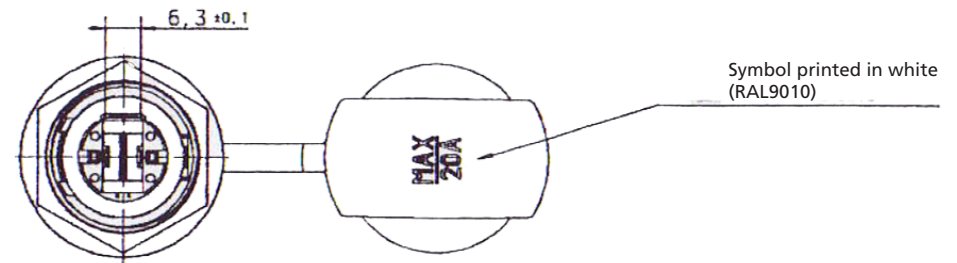
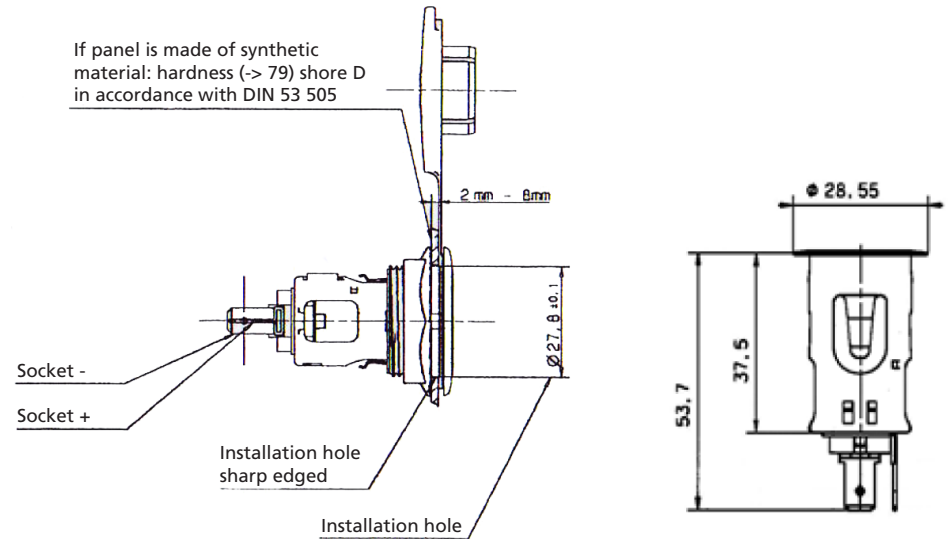
**STANDARDS:**  
REACH and RoHS compliant

**CHARACTERISTICS:**

- For operating electrical devices in cars, boats and caravans
- Fastening with hexagon nut
- With protective cap

**BUILT-IN SINGLE SOCKET WITH NUT**

**PHOTO / TECHNICAL DRAWING**



**DIMENSIONS**

L x Ø: 37,5 (+16,2) x 28,55 mm  
Inner Ø: 21 mm

**TECHNICAL SPECIFICATIONS**

Contact termination: Flat terminals, 6.3x0.8 mm  
Panel aperture: Ø 27,8 mm  
Panel thickness: 2~8 mm  
Voltage: 12-24V  
Max. amperage: 16A with 1,5 mm<sup>2</sup> cable  
20A with 2,5 mm<sup>2</sup> cable