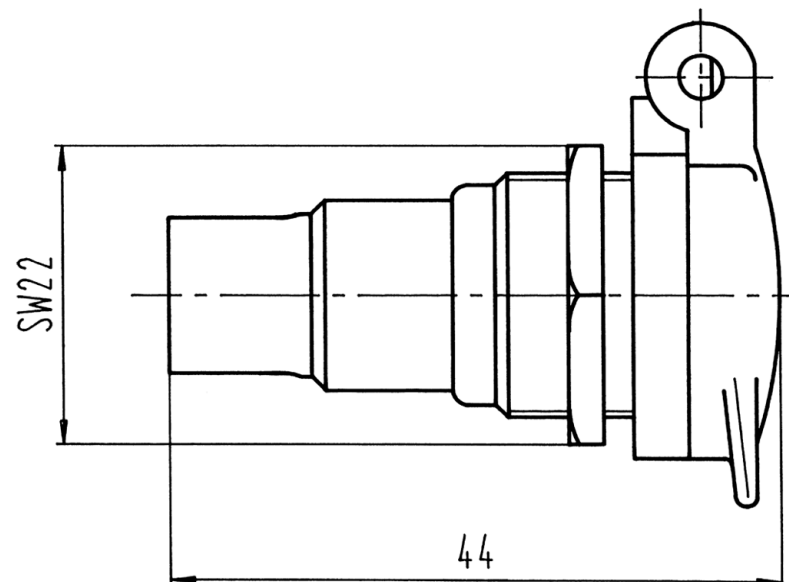


PART NR.  
**SC01P004**

COUNTRY OF ORIGIN:  
Germany

STANDARDS:  
REACH and RoHS compliant  
ISO 4165  
Protection: IP20

PHOTO / TECHNICAL DRAWING



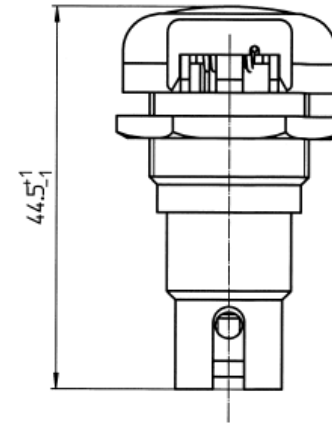
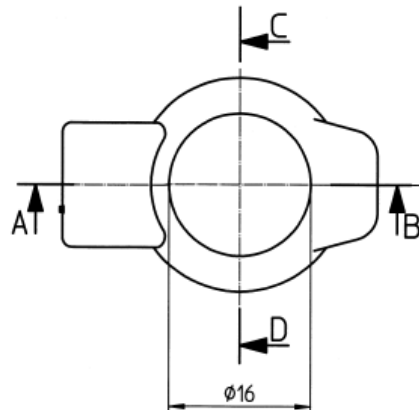
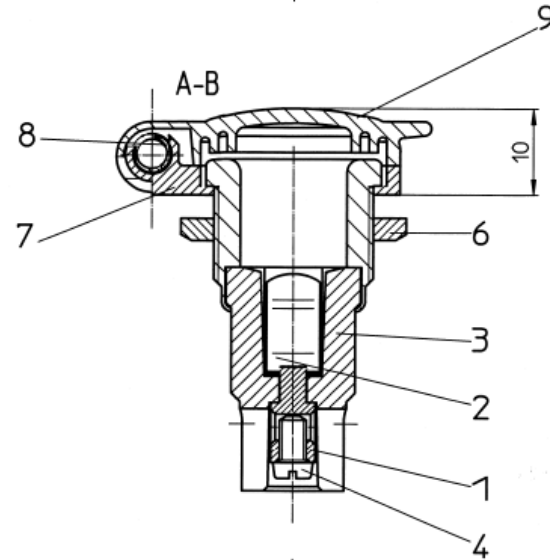
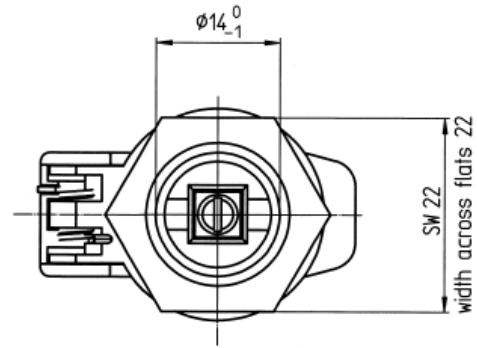
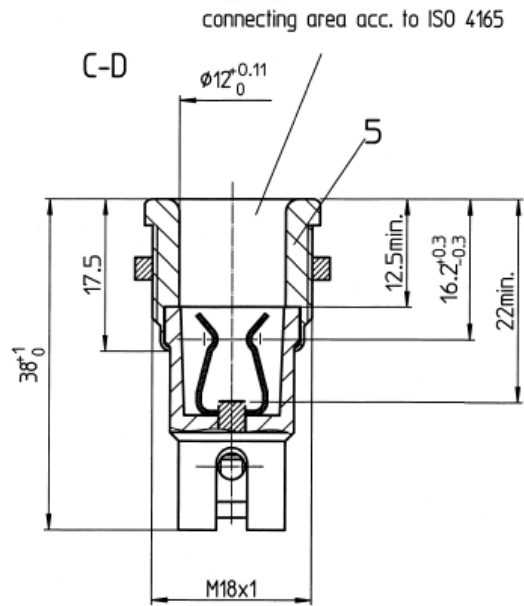
DIMENSIONS

L x nut size: 44 mm x SW22  
Inner Ø: 12 mm

TECHNICAL SPECIFICATIONS

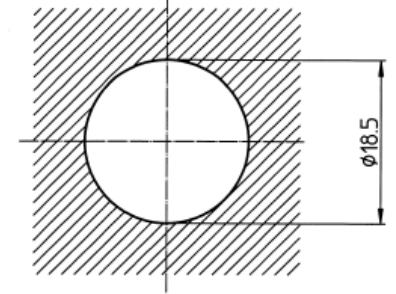
Body:	Copper alloy, nickel plated
Housing insert:	Nylon (PP), black
Cover:	Polyoxymethylen (POM), black
Contact termination:	Screw contact
Hexagon nut:	Copper alloy, nickel plated (SW22)
Mounting stem:	M18
Panel aperture:	Ø 18,5 mm
Panel thickness:	Max. 7 mm
Permanent load:	16A
Voltage:	6-24V

view without cover



fitting opening

(clamping distance until max 7mm)



Position	Part name	Material	Color
1	Contact clamp	CuSn	
2	Contact spring	CuSn	Ni
3	Housing insert	PP	black
4	Screw	St 4.8	galvanized Zn
5	Housing	CuZn	Ni
6	Hexagon nut	CuZn	Ni
7	Hinge pedestal	POM	black
8	Clock spring	X12CrNi177	
9	Cover	POM	black