

**PART NR.**  
**SC01P004-1**

**COUNTRY OF ORIGIN:**  
**Germany**

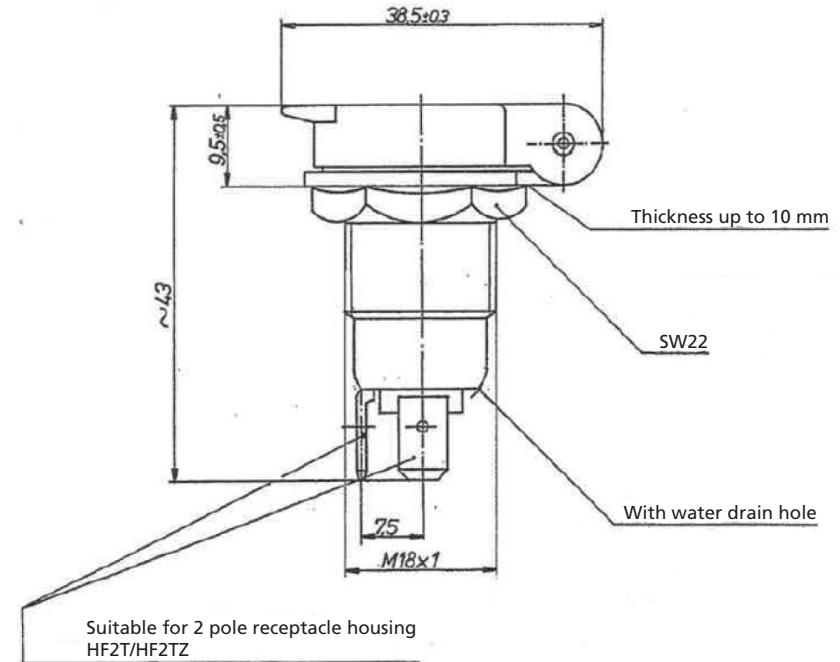
**STANDARDS:**  
**REACH and RoHS compliant**

**CHARACTERISTICS:**

- Fitting for standard and universal plugs
- With protective cap
- Fastening with M18 hexagon nut
- Can be used with receptacle housing HF2T (white) or HF2TZ (black)

**BUILT-IN SINGLE SOCKET**

**PHOTO / TECHNICAL DRAWING**



**DIMENSIONS**

L x W: 43 x 38,5 mm  
Inner Ø: 12 mm

**TECHNICAL SPECIFICATIONS**

Housing: Aluminum alloy  
Cap and holder: PA6, black  
Nut: Copper alloy  
Contact termination: Flat terminals, 6.3 mm  
Copper alloy, silver plated  
Panel aperture: 18 mm  
Panel thickness: Max. 10 mm  
Voltage: 12-24V  
Max. amperage: 16A