

**PART NR.**  
**SC01P001**

**COUNTRY OF ORIGIN:**  
China

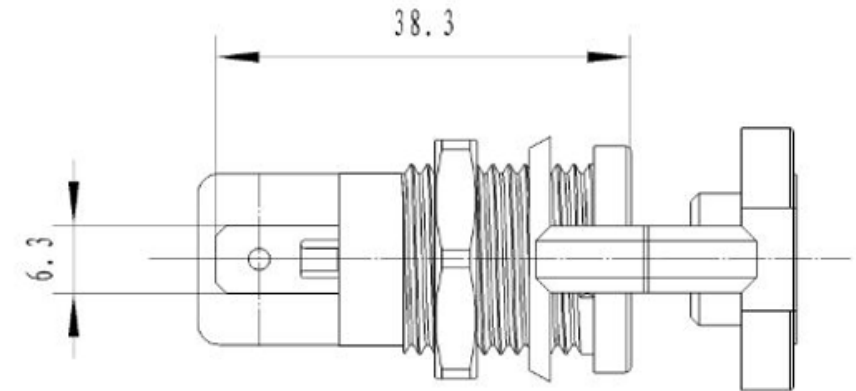
**STANDARDS:**  
REACH and RoHS compliant

**CHARACTERISTICS:**

- DIN standard built-in socket for standard plugs
- With protective cap

**BUILT-IN SINGLE SOCKET WITH PROTECTIVE CAP**

**PHOTO / TECHNICAL DRAWING**



**DIMENSIONS**

L x Ø: 38,3 x 20,9 mm  
Inner Ø: 12 mm

**TECHNICAL SPECIFICATIONS**

Contact termination: 2 Tab terminals, 6.3x0.8 mm  
Hexagon nut: SW22, M17,5  
Mounting stem: 17,6 mm  
Voltage: 12-24V  
Max. amperage: 16A

