

ANGULAR PLUG WITH LED

PART NR.
PL01P005

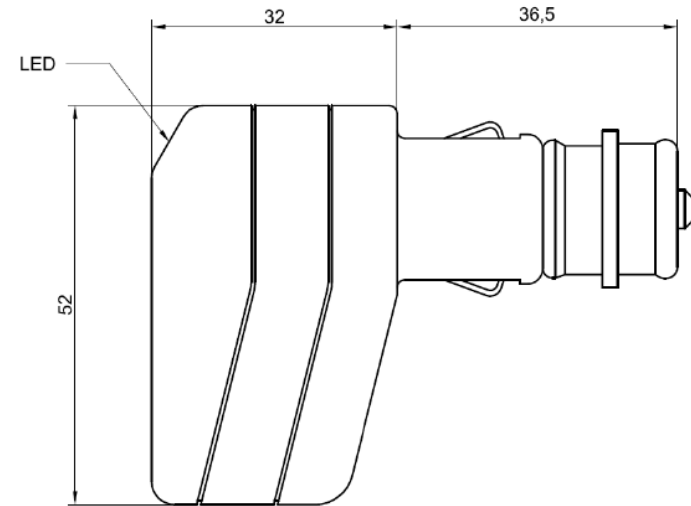
COUNTRY OF ORIGIN:
Germany

STANDARDS:
REACH and RoHS compliant

CHARACTERISTICS:

- With operational check by diode
- Fitting for cigarette lighter and standard sockets according do DIN EN ISO 4165
- Adaptor can be firmly positioned by bayonet catch
- With screwed strain relief

PHOTO / TECHNICAL DRAWING



DIMENSIONS

L x W: 52 x 32 (+36,5) mm

TECHNICAL SPECIFICATIONS

| | |
|----------------------|--|
| Housing: | PC, black |
| Plug pin: | Copper alloy, nickel plated |
| Contact spring: | Copper alloy, nickel plated |
| Connection spring: | Copper alloy, shiny pickled |
| Contact termination: | Screw connection |
| Temperature range: | Max. 135 °C |
| Suitable cable: | Max. 1,5 mm ² , max. Ø 8 mm |
| Voltage: | 12-24V |
| Max. amperage: | 7,5A |