

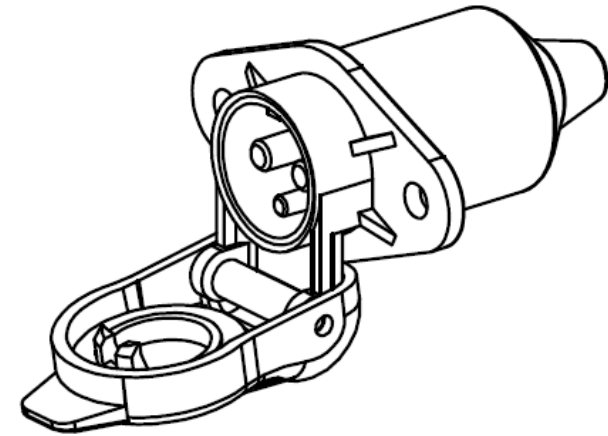
PART NR.
AE-ZZ006

COUNTRY OF ORIGIN:
China

STANDARDS:
REACH and RoHS compliant
DIN/ISO 9680
Protection: IP54

3 POLE SOCKET (12-24V)

PHOTO / TECHNICAL DRAWING



DIMENSIONS

L x Ø:

55,9 x 25 mm

TECHNICAL SPECIFICATIONS

Body:

Nylon (PA6), black

Cap:

Rubber, black

Contact termination:

2x 6.3 and 1x 4.8 mm tabs

Electrical current:

12-24V

