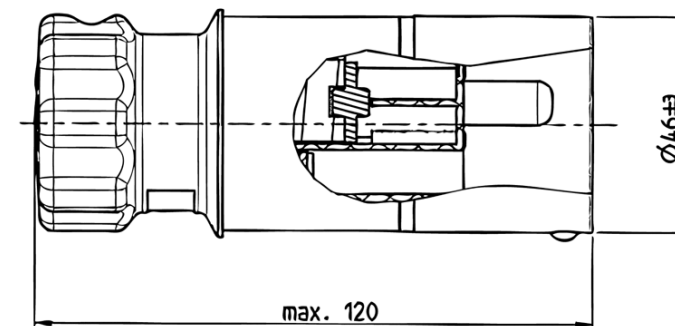
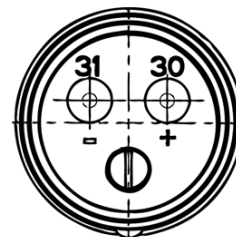


PART NR.
PL02P001

COUNTRY OF ORIGIN:
Germany

STANDARDS:
REACH and RoHS compliant
VG 96917
Protection: IP54, IPX4, IPX7

PHOTO / TECHNICAL DRAWING



DIMENSIONS

L x Ø: max. 120 max. x 46±3 mm

TECHNICAL SPECIFICATIONS

| | |
|----------------------|---|
| Material: | Break proof metal, bronze green (RAL 6031-F9) |
| Contact insert: | Black |
| Contact termination: | Solder/crimp contacts, silver plated |
| Cable: | For 35 mm ² wire max. (Ø 12 mm) |
| Cable outlet: | Cap nut, dual cable outlet 180° |
| Peak load: | 245A |
| Permanent load: | 135A |
| Voltage: | 24V |