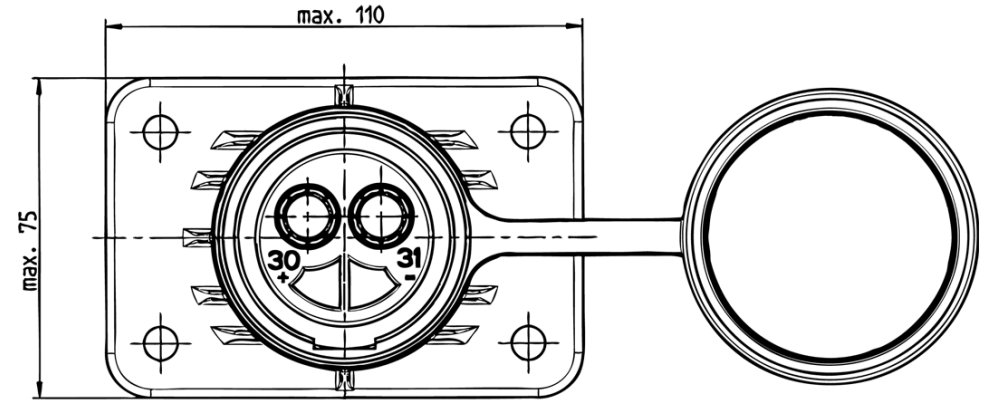


PART NR.
245C008

COUNTRY OF ORIGIN:
Germany

STANDARDS:
REACH and RoHS compliant
VG 96917
Protection: IP54, IPX4, IPX7

PHOTO / TECHNICAL DRAWING



DIMENSIONS

L x W: 110 x 75 mm

TECHNICAL SPECIFICATIONS

| | |
|----------------------|--------------------------------------|
| Body: | Reinforced composite, black |
| Push-on cover: | Rubber, black |
| Contact termination: | Solder/crimp contacts, silver plated |
| Cable: | For 35 mm ² wire max. |
| Voltage: | 24V |
| Peak load: | 245A |
| Permanent load: | 135A |