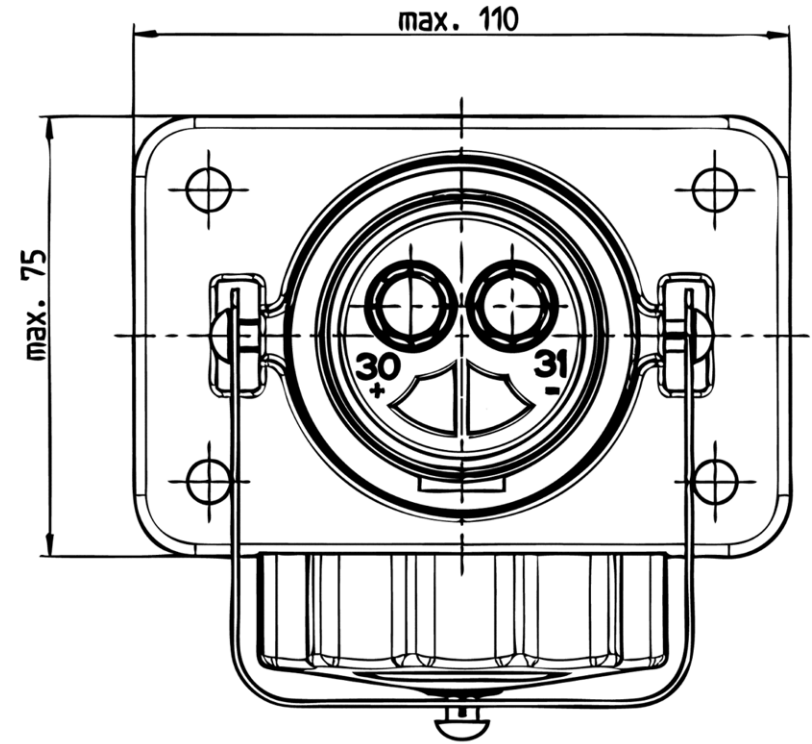


PART NR.
24SC007
(NATO stock No. 5935-12-308-5019)

COUNTRY OF ORIGIN:
Germany

STANDARDS:
REACH and RoHS compliant
VG 96917 A002
Protection: IP54, IPX4, IPX7

PHOTO / TECHNICAL DRAWING



DIMENSIONS

L x W: 110 x 75 mm

TECHNICAL SPECIFICATIONS

Body:	Break proof metal, bronze green (RAL 6031-F9)
Screw cap:	Proof metal screw cap, bronze green
Contact termination:	Solder/crimp contacts, silver plated
Cable:	For 50 mm ² wire max.
Voltage:	24V
Peak load:	305A
Permanent load:	168A