

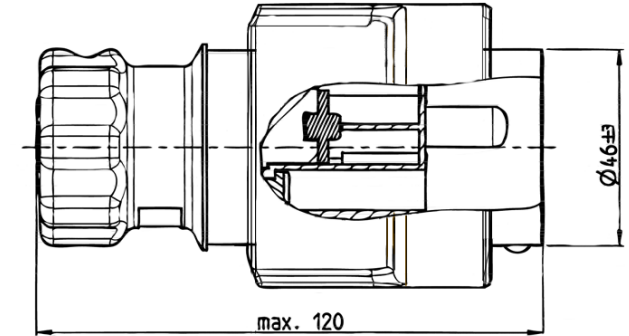
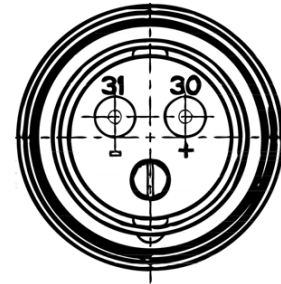
PART NR.
24PL011

COUNTRY OF ORIGIN:
Germany

STANDARDS:
REACH and RoHS compliant
VG 96917
Protection: IP54, IPX4, IPX7

2 POLE 24V (168A) PLUG

PHOTO / TECHNICAL DRAWING



DIMENSIONS

L x Ø:

120 x 46 mm

TECHNICAL SPECIFICATIONS

Body:	Break proof metal, black
Screw ring:	Rubberized metal, black
Contact insert:	Black
Contact termination:	Solder/crimp contacts, silver plated
Cable:	For 50 mm ² wire max. (Ø 13 mm)
Cable outlet:	Cap nut, dual cable outlet 180°
Voltage:	24V
Peak load:	305A
Permanent load:	168A