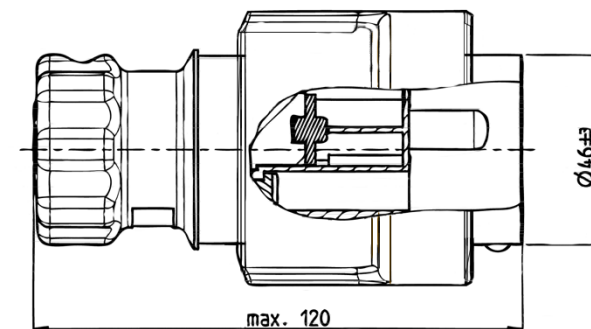
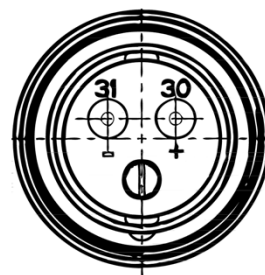


PART NR.  
**24PL010**

COUNTRY OF ORIGIN:  
Germany

STANDARDS:  
REACH and RoHS compliant  
VG 96917 E001B  
Protection: IP54, IPX4, IPX7

PHOTO / TECHNICAL DRAWING



DIMENSIONS

L x Ø:

120 x 46 mm

TECHNICAL SPECIFICATIONS

Body:	Break proof metal, black
Screw ring:	Rubberized metal, black
Contact insert:	Black
Contact termination:	Solder/crimp contacts, silver plated
Cable:	For 35 mm <sup>2</sup> wire max. (Ø 12 mm)
Cable outlet:	Cap nut, dual cable outlet 180°
Voltage:	24V
Peak load:	245A
Permanent load:	135A