

## 12 POLE 24V PLUG

### PART NR.

**24PL008** cable Ø 17 mm  
(NATO stock No. 5935-12-350-1294)

**24PL009** cable Ø 24 mm  
(NATO stock No. 5935-12-188-1750)

### COUNTRY OF ORIGIN

**Germany**

### STANDARDS

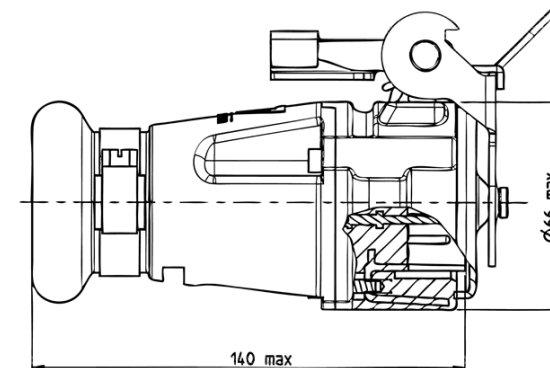
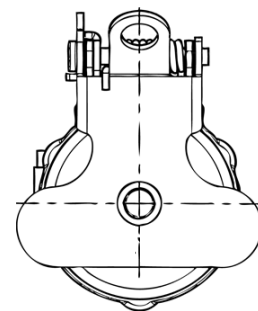
**REACH and RoHS compliant**

**VG 96923 B2-12P / MS75020-1 (24PL008)**

**VG 96923 B1-12P / MS75020-1 (24PL009)**

**Protection: IP67, IPX7**

### PHOTO / TECHNICAL DRAWING



### DIMENSIONS

L x Ø:

140 x 66 mm

### TECHNICAL SPECIFICATIONS

Body:

Rubberized break proof metal, black

Cover:

Proof metal with latching, bronze green

Contact insert:

Black

Contact termination:

Solder contacts, silver plated

Voltage:

24V