

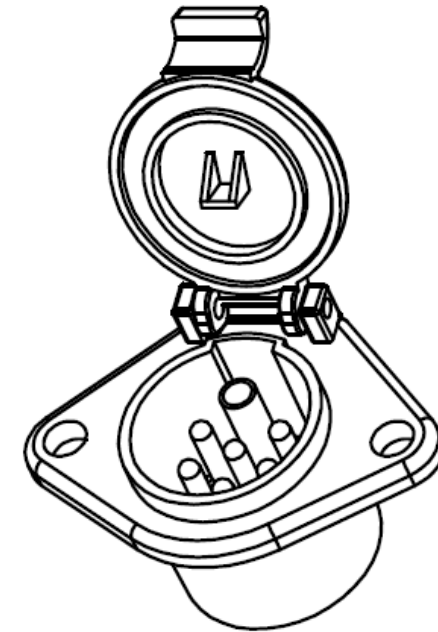
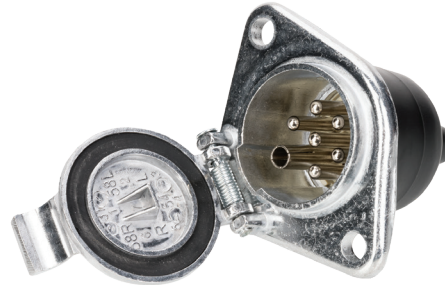
PART NR.
502021

COUNTRY OF ORIGIN:
China

STANDARDS:
REACH and RoHS compliant
DIN/ISO 3731 S
Protection: IP54

7 POLE S-TYPE SOCKET (24V)

PHOTO / TECHNICAL DRAWING



DIMENSIONS

L x W x H:

94 x 64 x 47 mm

TECHNICAL SPECIFICATIONS

Body:	Aluminum
Cover:	Aluminum With rubber seal
Contact termination:	Screw contacts
Operating temperature:	-40 ~ 85 °C
Max. electrical current:	24V

