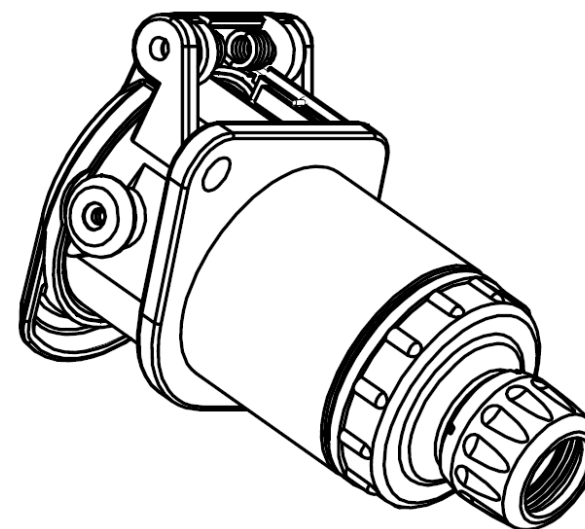


PART NR.
24SC003

COUNTRY OF ORIGIN:
China

STANDARDS:
REACH and RoHS compliant
DIN/ISO 12098
Protection: IP54

PHOTO / TECHNICAL DRAWING



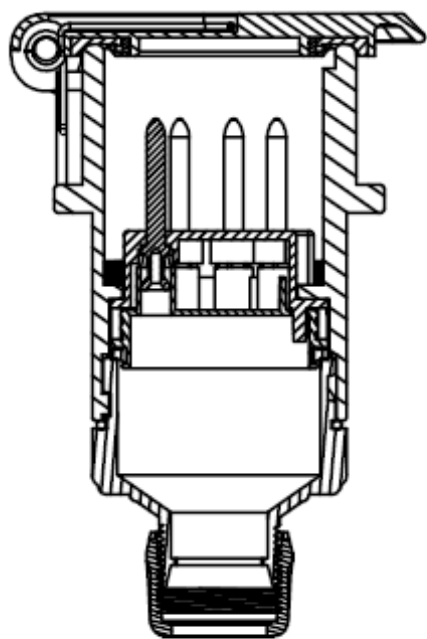
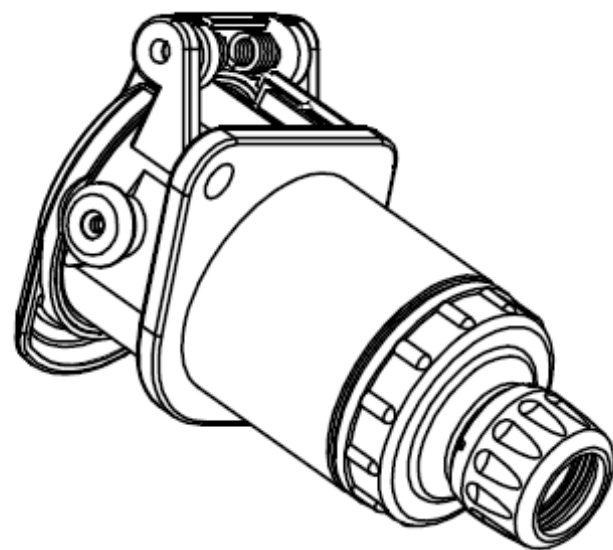
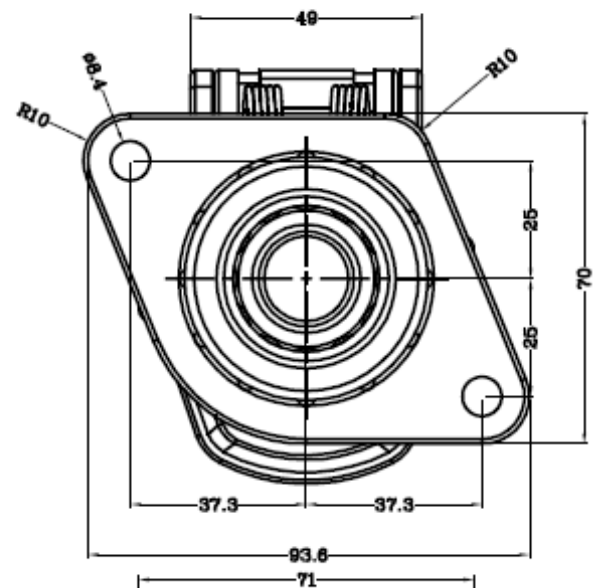
DIMENSIONS

L x W:

108,5 x 93,6 mm

TECHNICAL SPECIFICATIONS

Body: Nylon (PA6), black
Contact termination: Screw contacts
Operating temperature: -40 ~ 85 °C
Max. electrical current: 24V



截面 A-A

