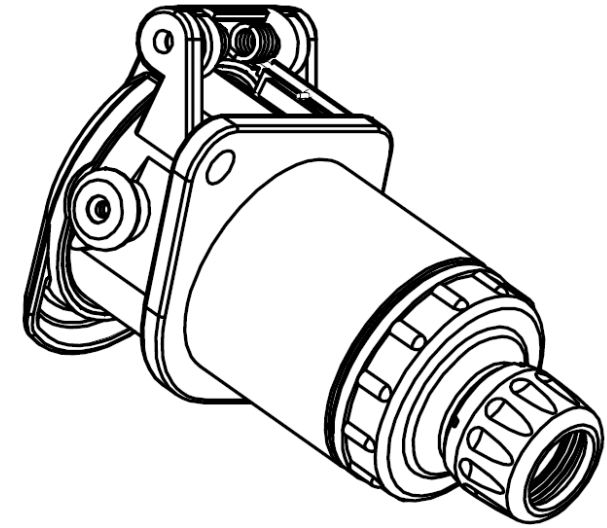


PART NR.  
**24SC002**

COUNTRY OF ORIGIN:  
China

STANDARDS:  
REACH and RoHS compliant  
DIN/ISO 7638-1  
Protection: IP54

PHOTO / TECHNICAL DRAWING



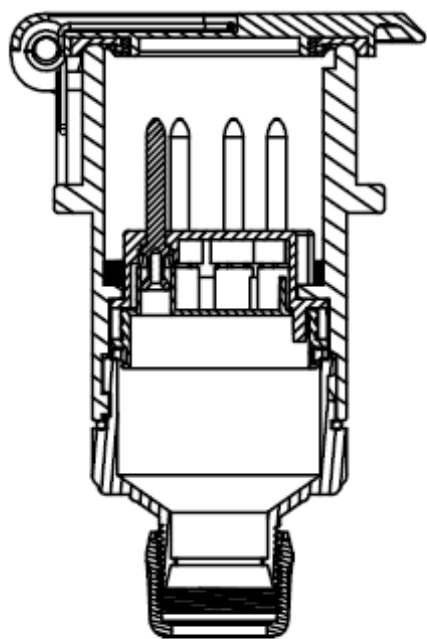
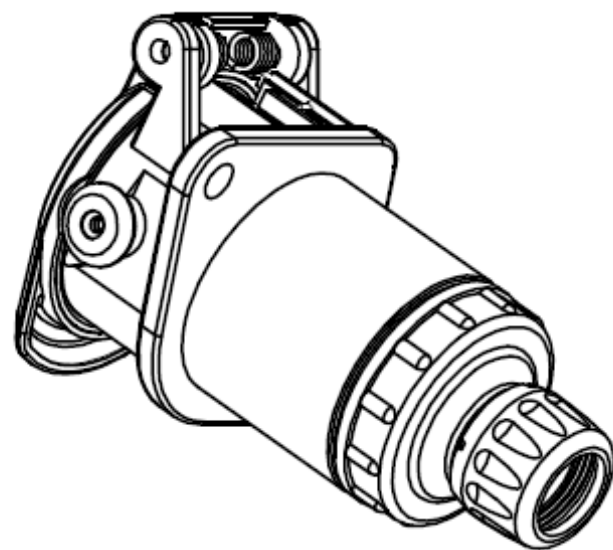
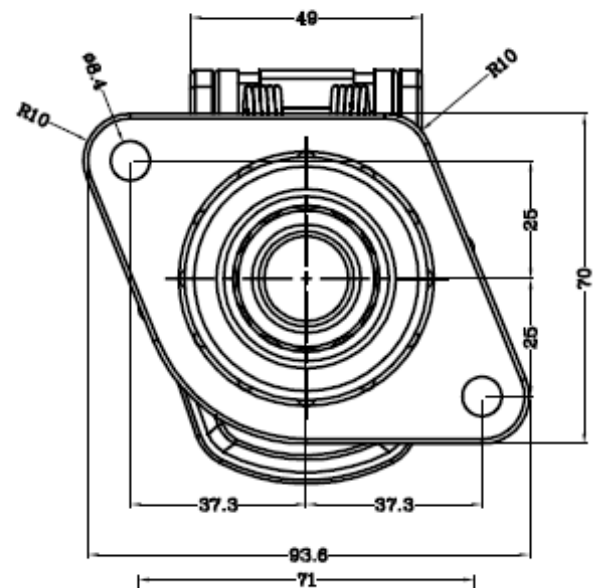
DIMENSIONS

L x W:

108,5 x 93,6 mm

TECHNICAL SPECIFICATIONS

Body:	Nylon (PA6), black
Contact termination:	Screw contacts
Operating temperature:	-40 ~ 85 °C
Max. electrical current:	24V



截面 A-A

