

7 POLE EBS PLUG (24V)

PART NR.

24PL002

with screw contacts

24PL002PC2

with crimp contacts

COUNTRY OF ORIGIN:

China

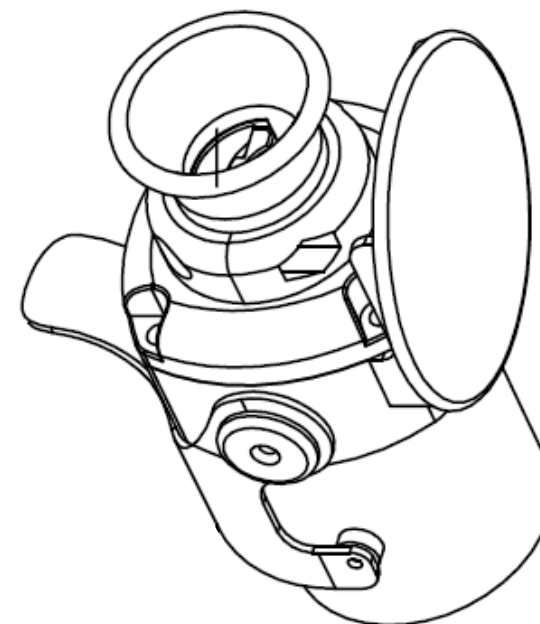
STANDARDS:

REACH and RoHS compliant

DIN/ISO 7638-1

Protection: IP54

PHOTO / TECHNICAL DRAWING



DIMENSIONS

L x Ø:

117 x 66 mm

TECHNICAL SPECIFICATIONS

Body:

Nylon (PA6), black

Operating temperature:

-40 ~ 85 °C

Max. electrical current:

24V

