

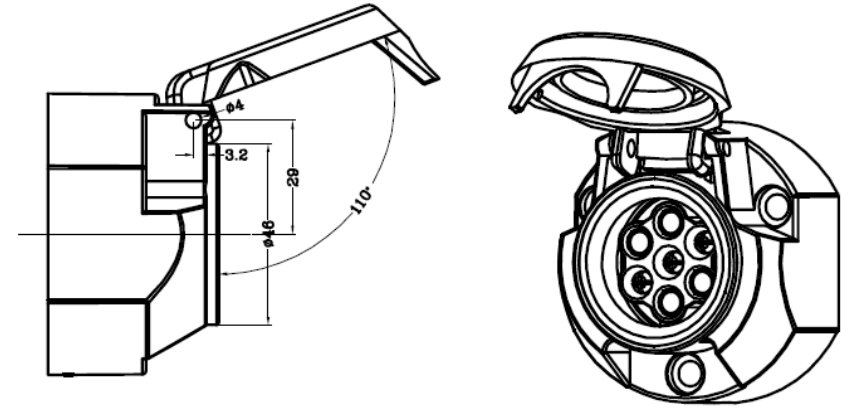
PART NR.
SC07P012

COUNTRY OF ORIGIN:
China

STANDARDS:
REACH and RoHS compliant
DIN/ISO 1724 N
Protection: IP54

7 POLE N-TYPE SOCKET (12V)

PHOTO / TECHNICAL DRAWING



DIMENSIONS

Ø x H: 71,5 x 43,5 mm

TECHNICAL SPECIFICATIONS

Body:	Aluminum
Contacts:	Brass
Contact termination:	Screw contacts
Operating temperature:	-40 ~ 85 °C
Max. electrical current:	12V

