

PART NR.
SC07P004

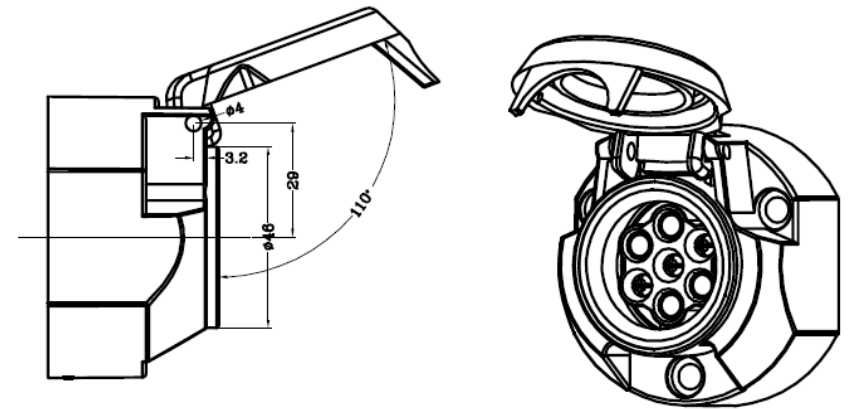
COUNTRY OF ORIGIN:
China

STANDARDS:
REACH and RoHS compliant
DIN/ISO 1724 N
Protection: IP54

CHARACTERISTICS:
• **With micro foglight cut-off**

7 POLE N-TYPE SOCKET (12V) WITH MICRO FOGLIGHT CUT-OFF

PHOTO / TECHNICAL DRAWING



DIMENSIONS

Ø x H: 71,5 x 43,5 mm

TECHNICAL SPECIFICATIONS

Body:	Reinforced composite, black
Contacts:	Brass, nickel plated
Contact termination:	Screw contacts
Operating temperature:	-40 ~ 85 °C
Max. electrical current:	12V

