

PART NR.

SC07P003BRASS brass contacts
SC07P003NP nickel plated contacts

COUNTRY OF ORIGIN:

China

STANDARDS:

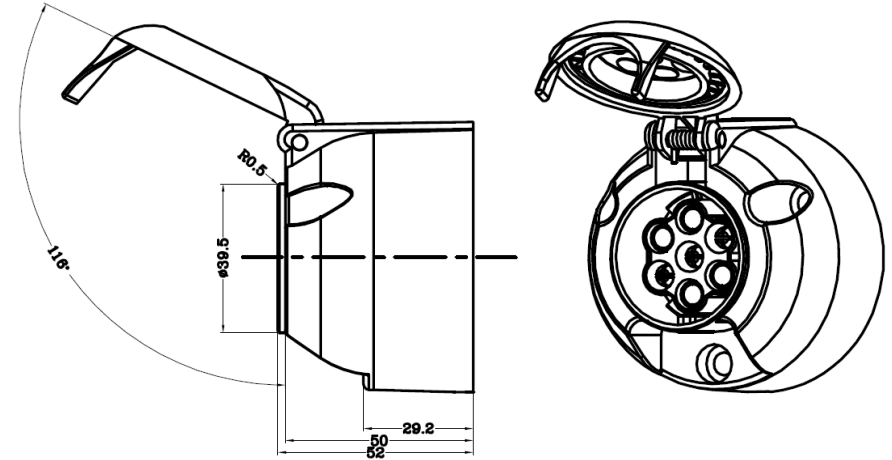
REACH and RoHS compliant
DIN/ISO 1724 N
Protection: IP54

CHARACTERISTICS:

- With foglight cut-off

7 POLE N-TYPE SOCKET (12V) WITH FOGLEIGHT CUT-OFF

PHOTO / TECHNICAL DRAWING



DIMENSIONS

Ø x H:

71,5 x 52 mm

TECHNICAL SPECIFICATIONS

Body:	Reinforced composite, black
Contact termination:	Screw contacts
Operating temperature:	-40 ~ 85 °C
Max. electrical current:	12V

