

## 7 POLE N-TYPE SOCKET (12V)

### PART NR.

**SC07P001BRASS** brass contacts  
**SC07P001NP** nickel plated contacts

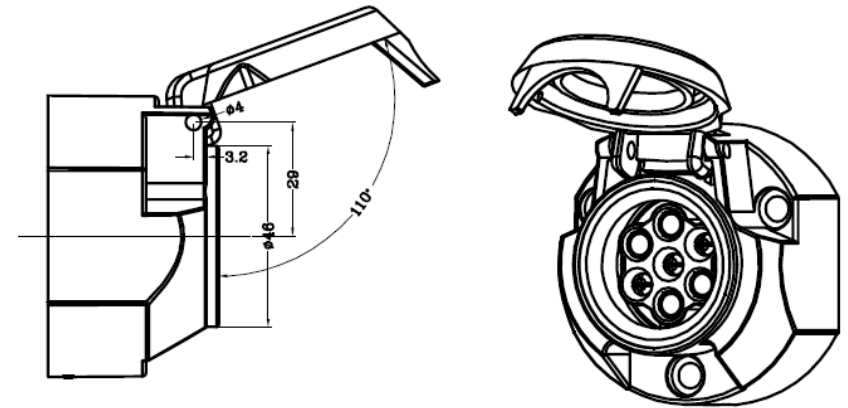
### COUNTRY OF ORIGIN:

China

### STANDARDS:

REACH and RoHS compliant  
DIN/ISO 1724 N  
Protection: IP54

### PHOTO / TECHNICAL DRAWING



### DIMENSIONS

Ø x H:

71,5 x 43,5 mm

### TECHNICAL SPECIFICATIONS

Body:	Reinforced composite, black
Contact termination:	Screw contacts
Operating temperature:	-40 ~ 85 °C
Max. electrical current:	12V

