

PART NR.

PL07P001BRASS brass contacts
PL07P001NP nickel plated contacts

COUNTRY OF ORIGIN:

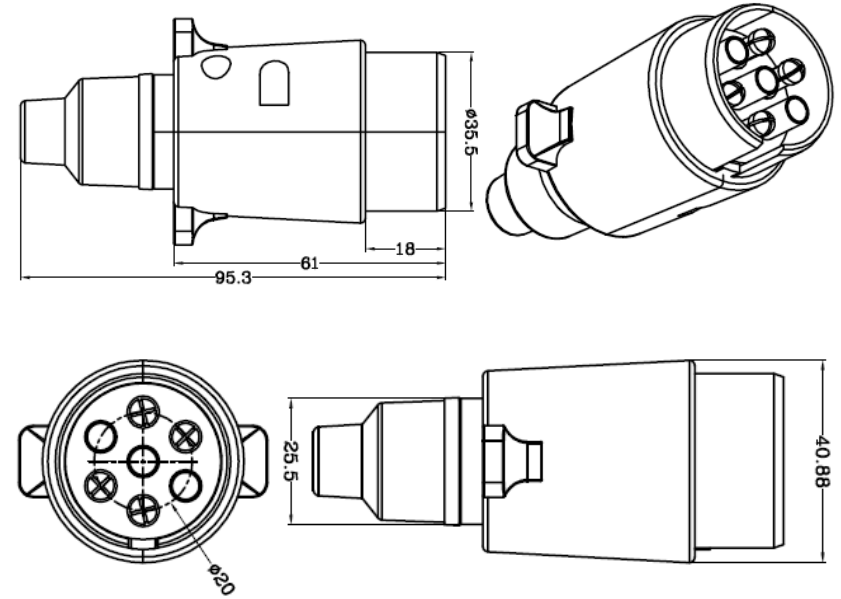
China

STANDARDS:

REACH and RoHS compliant
DIN/ISO 1724 N
Protection: IP54

7 POLE N-TYPE PLUG (12V)

PHOTO / TECHNICAL DRAWING



DIMENSIONS

L x Ø:

61 x 35,5/40,88 mm

TECHNICAL SPECIFICATIONS

Body:	Nylon (PA6), black
Contact termination:	Screw contacts
Operating temperature:	-40 ~ 85 °C
Max. electrical current:	12V