

PART NR.
SC13P003

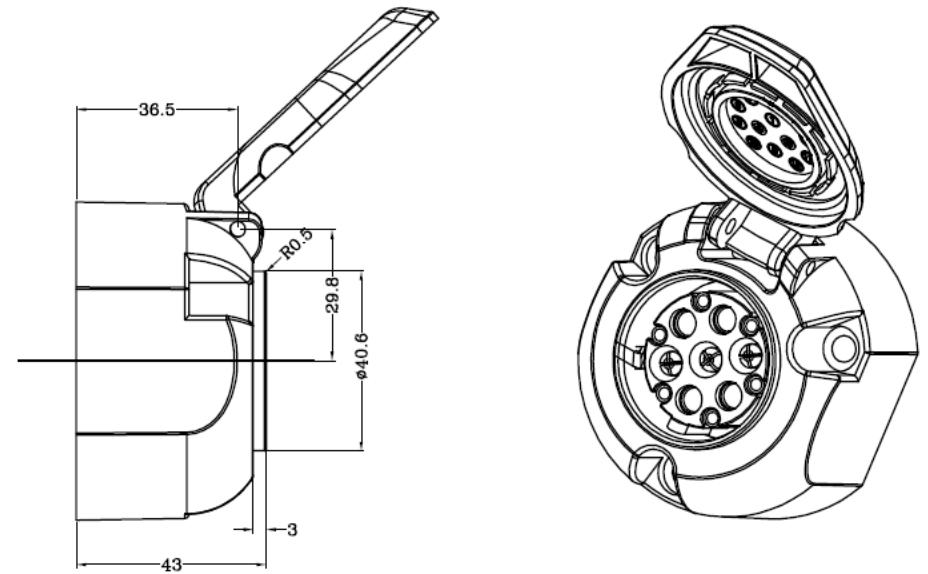
COUNTRY OF ORIGIN:
China

STANDARDS:
REACH and RoHS compliant
NEN 6120
Protection: IP54

- CHARACTERISTICS:**
- 7+6 "WeSt" socket
 - With micro foglight cut-off

7+6 POLE "WeSt" SOCKET (12V) WITH MICRO FOGLEIGHT CUT-OFF

PHOTO / TECHNICAL DRAWING



DIMENSIONS

Ø x H: 72 x 43 mm

TECHNICAL SPECIFICATIONS

Body:	Reinforced composite, black
Contacts:	Brass, nickel plated
Contact termination:	Screw contacts
Operating temperature:	-40 ~ 85 °C
Max. electrical current:	12V

