

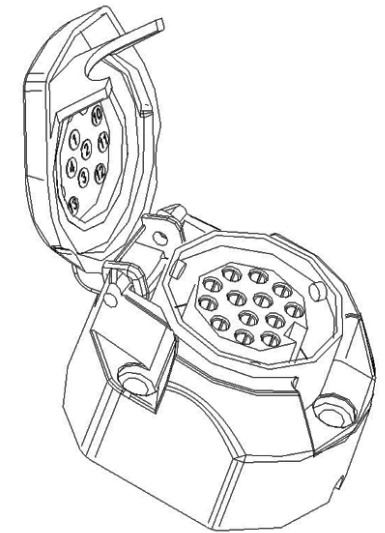
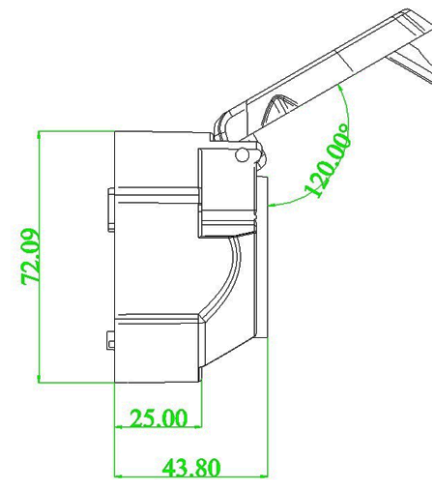
PART NR.  
**SC13P001**

COUNTRY OF ORIGIN:  
China

STANDARDS:  
REACH and RoHS compliant  
ISO 11446  
Protection: IP54

**13 POLE SOCKET (12V)**

PHOTO / TECHNICAL DRAWING



DIMENSIONS

Ø x H:

72,09 x 43,80 mm

TECHNICAL SPECIFICATIONS

Body:	Reinforced composite, black
Contacts:	Brass, nickel plated
Contact termination:	Screw contacts
Operating temperature:	-40 ~ 85 °C
Max. electrical current:	12V

