

PART NR.
PL13P002

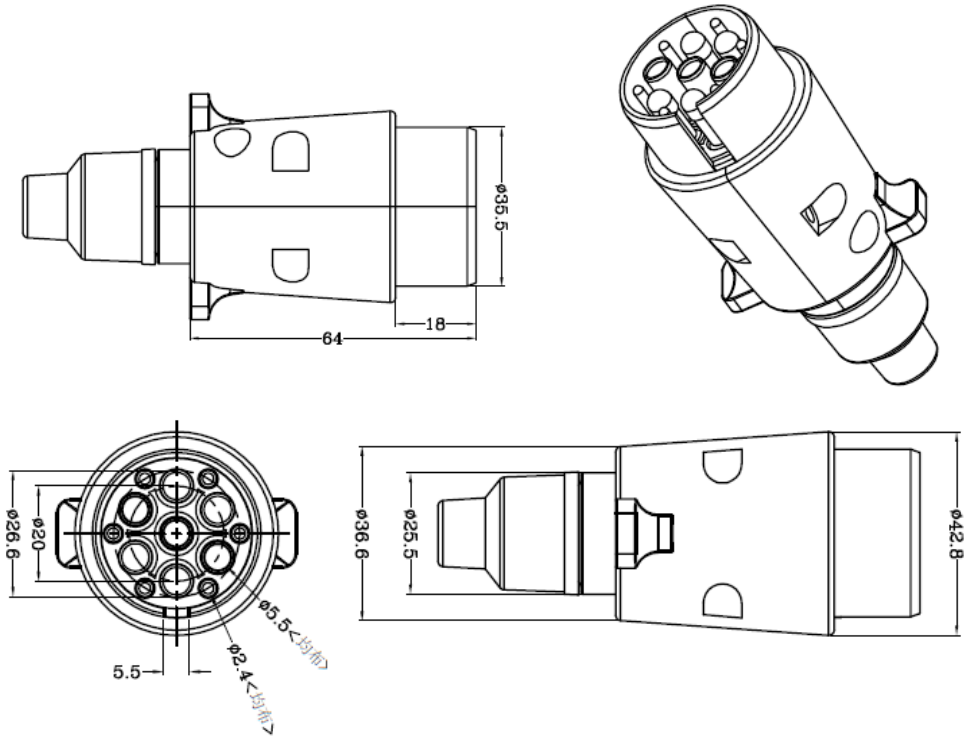
COUNTRY OF ORIGIN:
China

STANDARDS:
REACH and RoHS compliant
NEN 6120
Protection: IP54

CHARACTERISTICS:
• **7+6 "WeSt" plug**

7+6 POLE "WeSt" PLUG (12V)

PHOTO / TECHNICAL DRAWING



DIMENSIONS

L x Ø:

64 x 35,5/42,8 mm

TECHNICAL SPECIFICATIONS

Body:	Nylon (PA6), black
Contacts:	Brass
Contact termination:	Screw contacts
Operating temperature:	-40 ~ 85 °C
Max. electrical current:	12V