

PART NR.
PL13P001

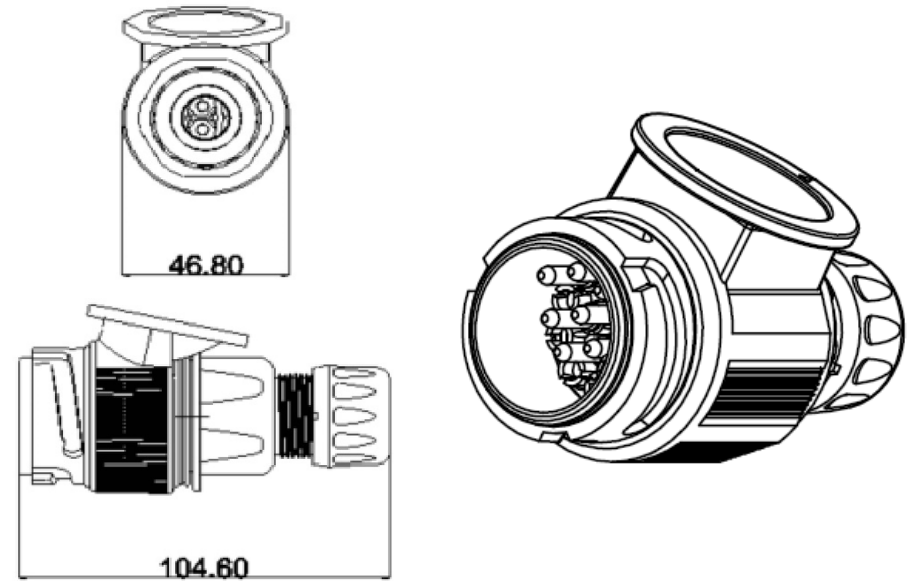
COUNTRY OF ORIGIN:
China

STANDARDS:
REACH and RoHS compliant
ISO 11446
Protection: IP54

CHARACTERISTICS:
• **With strain relief**

13 POLE PLUG (12V)

PHOTO / TECHNICAL DRAWING



DIMENSIONS

L x Ø: 104,6 x 46,8 mm

TECHNICAL SPECIFICATIONS

Body:	Nylon (PA6), black
Contacts:	Brass, nickel plated
Contact termination:	Screw contacts
Operating temperature:	-40 ~ 85 °C
Max. electrical current:	12V

