

QUICK DISCONNECT 6.3 TAB - PIGGY BACK

PART NR.

See dimensions table

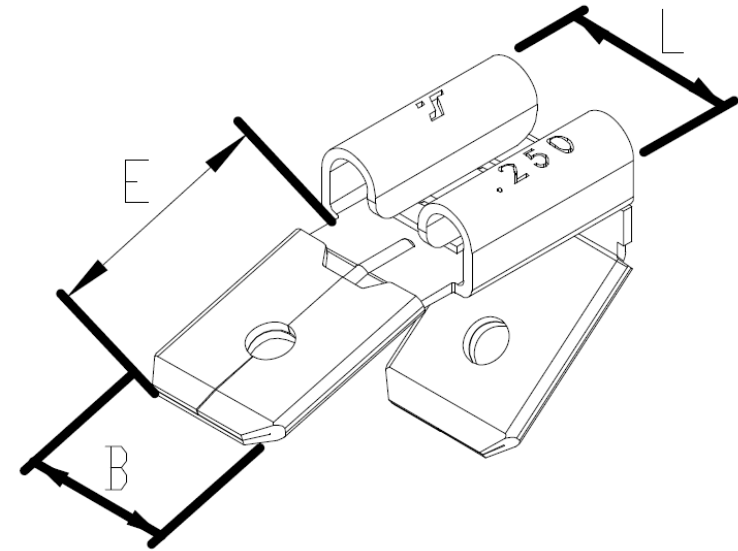
COUNTRY OF ORIGIN

Taiwan

STANDARDS

REACH and RoHS compliant

PHOTO / TECHNICAL DRAWING



DIMENSIONS

Part nr. natural	Part nr. tin plated	Tab size	B	E	L	Dimple	UL
50-001-MB-ZA	50-001-MB-TA	6.3x0.8	6,3	10,2	6,6	dimple hole	

TECHNICAL SPECIFICATIONS

Material: Brass, with or without tin plating
Max. temperature: 105 °C
Max. rated current: 24A