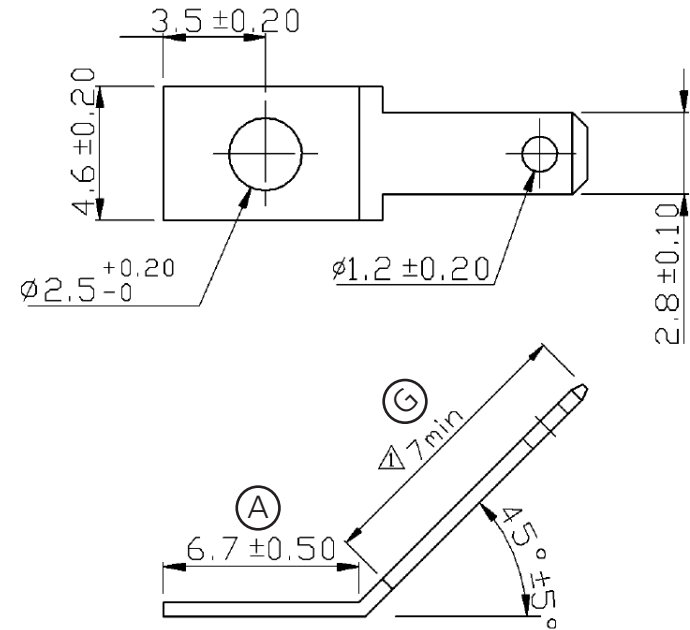


**PART NR.**  
08-101-MB-TA

**COUNTRY OF ORIGIN**  
Taiwan

**STANDARDS**  
REACH and RoHS compliant  
UL listed

**PHOTO / TECHNICAL DRAWING**



**DIMENSIONS**

Part nr. natural	Part nr. tin plated	Hole size	Tab size	A	G	Angle	Dimple	UL
	08-101-MB-TA	Ø 2,5	2.8x0.5	6,7	≥ 7,0	45°	dimple hole	✓

**TECHNICAL SPECIFICATIONS**

Material: Brass, tin plated  
Max. temperature: 105 °C