

OPEN BARREL RING TERMINAL - ON STRIP

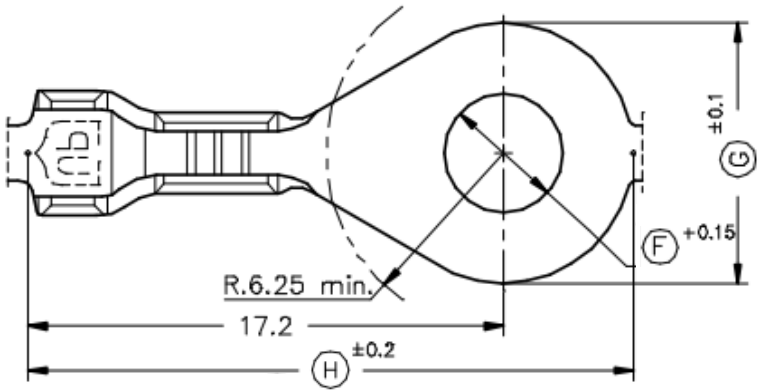
PART NR.
See dimensions table
MS on strip
ML loose piece

COUNTRY OF ORIGIN
Spain

STANDARDS
REACH and RoHS compliant
DIN 46225 (03-009-MS-xA only)
UL listed (except for 03-009-MS-xA)

TECHNICAL SPECIFICATIONS
Material: Brass, with or without tin plating
Max. temperature: Natural 110 °C
tin plated 120 °C
Max. rated current: 0,50 mm² 8A
0,75 mm² 10A
1,00 mm² 12A
1,50 mm² 16A
2,50 mm² 20A

PHOTO / TECHNICAL DRAWING

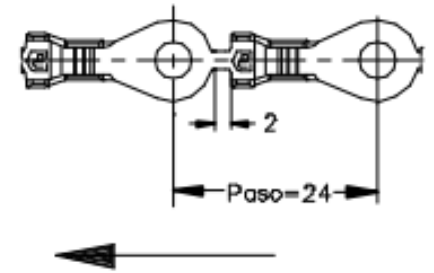
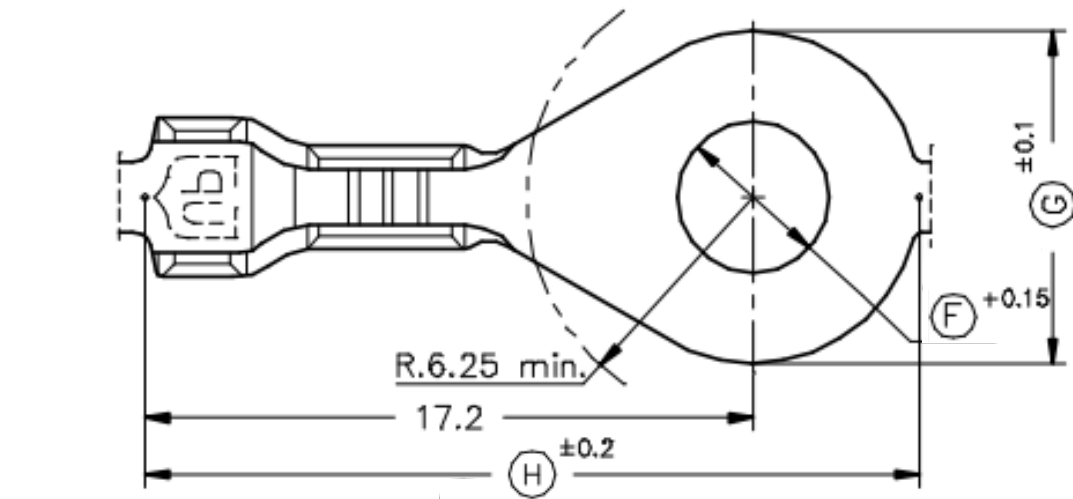
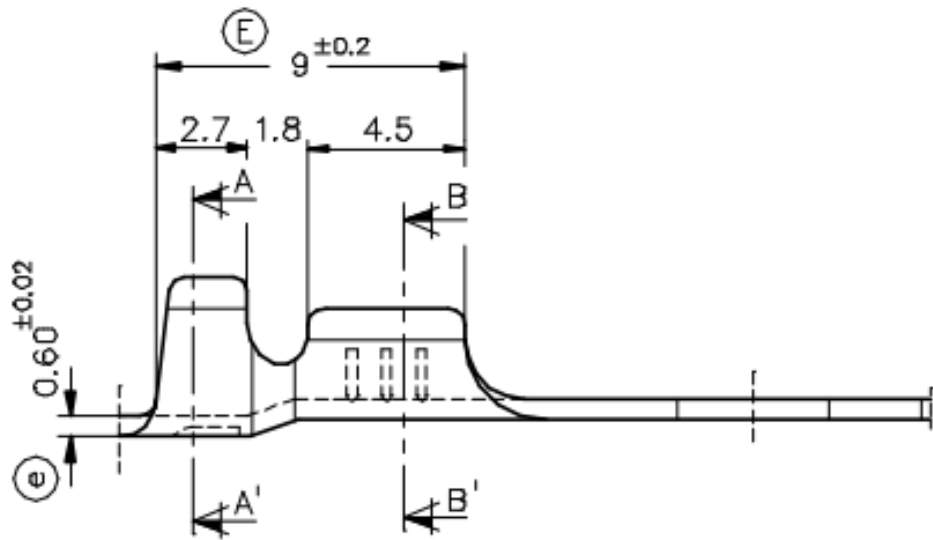


DIMENSIONS

Wire range	Part nr. natural	Part nr. tin plated	Hole size	H	G	Pcs/roll	UL
0,5-1,0	03-002-MS-ZA	03-002-MS-TA	Ø 4,3	22,0	9,5	6.000	✓
	03-003-MS-ZA	03-003-MS-TA	Ø 5,3				✓
	03-004-MS-ZA	03-004-MS-TA	Ø 6,4				✓
1,0-2,5	03-006-MS-ZA	03-006-MS-TA	Ø 4,3	28,0	14,0	2.500	✓
	03-007-MS-ZA	03-007-MS-TA	Ø 5,3				✓
	03-008-MS-ZA	03-008-MS-TA	Ø 6,4				✓
	03-009-MS-ZA	03-009-MS-TA	Ø 8,5				✓

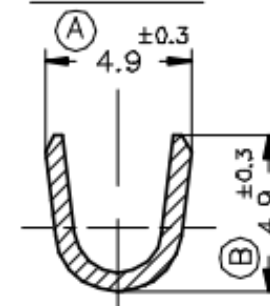
CRIMPING PARAMETERS & PULL-OUT FORCE

Terminal	Wire section (± 10%)	Conductor		Insulator	Pull-out force (N)
		Height (mm)	Width (mm)	Width (mm)	
03-00x-MS-xA	0,50 mm ²	1,98 (± 0,03)	2,72 (± 0,03)	4,06 (± 0,10)	56N@60s
	0,75 mm ²	2,10 (± 0,05)	2,72 (± 0,05)	4,07 (± 0,10)	84N@60s
	1,00 mm ²	2,18 (± 0,05)	2,73 (± 0,05)	4,07 (± 0,10)	108N@60s
03-009-MS-xA 03-021-MS-xA	1,00 mm ²	2,10 (± 0,05)	3,22 (± 0,05)	4,50 (± 0,10)	108N@60s
	1,50 mm ²	2,20 (± 0,05)	3,24 (± 0,05)	4,57 (± 0,10)	150N@60s
	2,00 mm ²	2,30 (± 0,05)	3,27 (± 0,05)	4,57 (± 0,10)	150N@60s
03-00x-MS-xA	2,50 mm ²	2,40 (± 0,05)	3,28 (± 0,05)	4,60 (± 0,10)	230N@60s
	1,00 mm ²	2,15 (± 0,05)	3,25 (± 0,05)	4,47 (± 0,10)	108N@60s
	1,50 mm ²	2,25 (± 0,05)	3,28 (± 0,05)	4,52 (± 0,10)	150N@60s
	2,00 mm ²	2,35 (± 0,05)	3,30 (± 0,05)	4,54 (± 0,10)	150N@60s
	2,50 mm ²	2,45 (± 0,05)	3,31 (± 0,05)	4,54 (± 0,10)	230N@60s

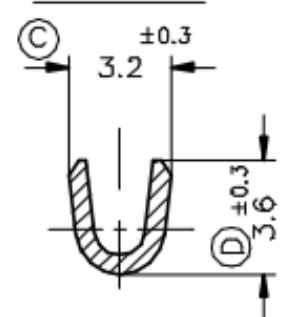


0,5-1,0 mm²

SECC. A-A'

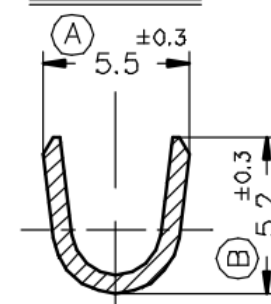


SECC. B-B'



1,0-2,5 mm²

SECC. A-A'



SECC. B-B'

