

OPEN BARREL FLAG TERMINAL - 6.3 TAB

PART NR.
 See dimensions table
MS on strip
ML loose piece

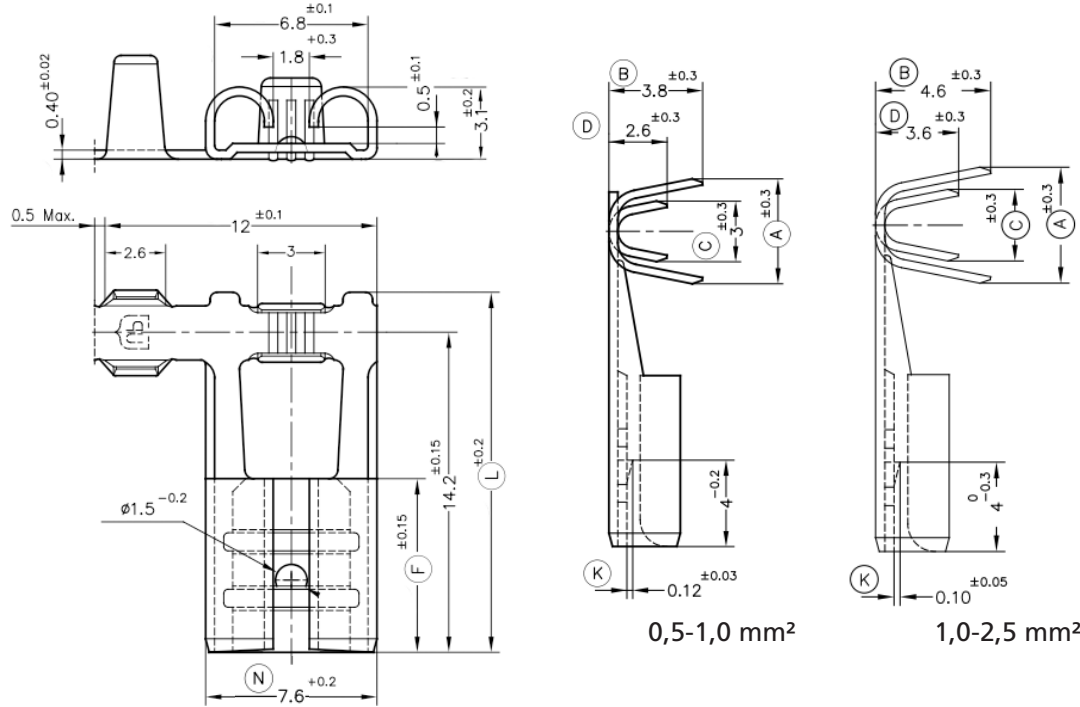
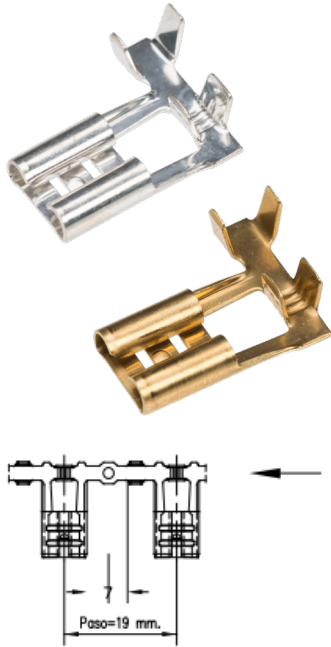
COUNTRY OF ORIGIN:
 Spain

STANDARDS:
 REACH and RoHS compliant
 DIN 43346
 UL listed

TECHNICAL SPECIFICATIONS

Material: Brass, with or without tin plating
Max. temperature: Natural 110 °C, tin plated 120 °C
Max. rated current: 0,50 mm² 8A
 0,75 mm² 10A
 1,00 mm² 12A
 1,50 mm² 16A
 2,50 mm² 20A

PHOTO / TECHNICAL DRAWING



DIMENSIONS

Wire range	Part nr. natural	Part nr. tin plated	Tabsize	L	F	N	Dimple/locking tab	Pcs/roll MOQ	UL
0,5~1,0	10-001-MS-ZA	10-001-MS-TA	6,3x0,8	16,0	7,6	7,6	dimple	5.000	✓
1,0~2,5	10-002-MS-ZA	10-002-MS-TA		15,5	7,4			4.000	✓
0,5~1,0	10-001-ML-ZA	10-001-ML-TA	6,3x0,8	16,0	7,6	7,6	dimple	1.000	✓
1,0~2,5	10-002-ML-ZA	10-002-ML-TA		15,5	7,4				✓

CRIMPING PARAMETERS & PULL-OUT FORCE

Terminal	Wire section (± 10%)	Conductor		Insulator	Pull-out force (N)
		Height (mm)	Width (mm)	Width (mm)	
10-001-Mx-xA	0,50 mm ²	1,25 (± 0,03)	2,36 (± 0,03)	3,42 (± 0,10)	56N@60s
	0,75 mm ²	1,35 (± 0,05)	2,37 (± 0,05)	3,42 (± 0,10)	84N@60s
	1,00 mm ²	1,45 (± 0,05)	2,38 (± 0,05)	3,43 (± 0,10)	108N@60s
10-002-Mx-xA	1,00 mm ²	1,55 (± 0,05)	2,86 (± 0,05)	4,05 (± 0,10)	108N@60s
	1,50 mm ²	1,67 (± 0,05)	2,86 (± 0,05)	4,05 (± 0,10)	150N@60s
	2,00 mm ²	1,80 (± 0,05)	2,90 (± 0,05)	4,05 (± 0,10)	150N@60s
	2,50 mm ²	1,95 (± 0,05)	2,90 (± 0,05)	4,10 (± 0,10)	230N@60s