

OPEN BARREL FEMALE DISCONNECTOR - 6.3 TAB DIMPLE ONLY

PART NR.

See dimensions table

MS on strip

ML loose piece (pre-rolled)

COUNTRY OF ORIGIN

Spain

STANDARDS

REACH and RoHS compliant

DIN 46247

UL listed

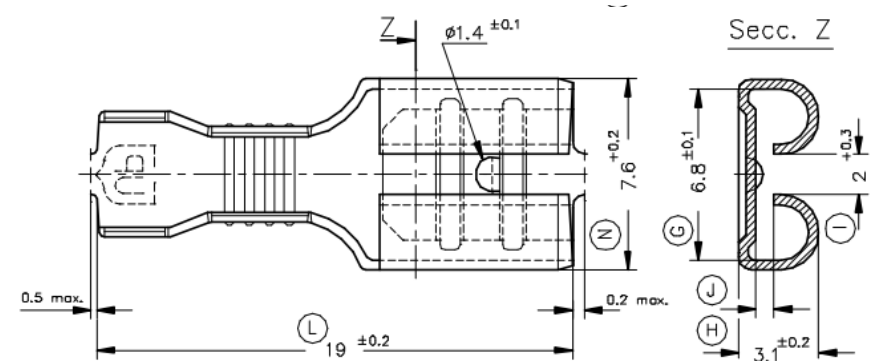
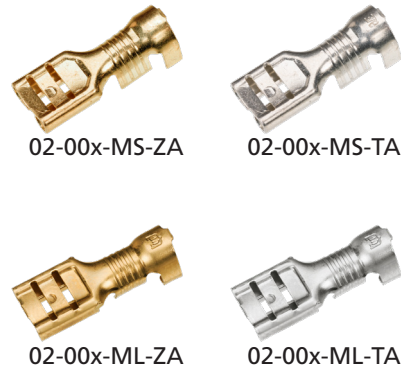
TECHNICAL SPECIFICATIONS

Material: Brass, with or without tin plating

Max. temperature: Natural 110 °C, tin plated 120 °C

Max. rated current: 0,50 mm² 8A
 0,75 mm² 10A
 1,00 mm² 12A
 1,50 mm² 16A
 2,50 mm² 20A
 4,00 mm² 26A
 6,00 mm² 34A

PHOTO / TECHNICAL DRAWING

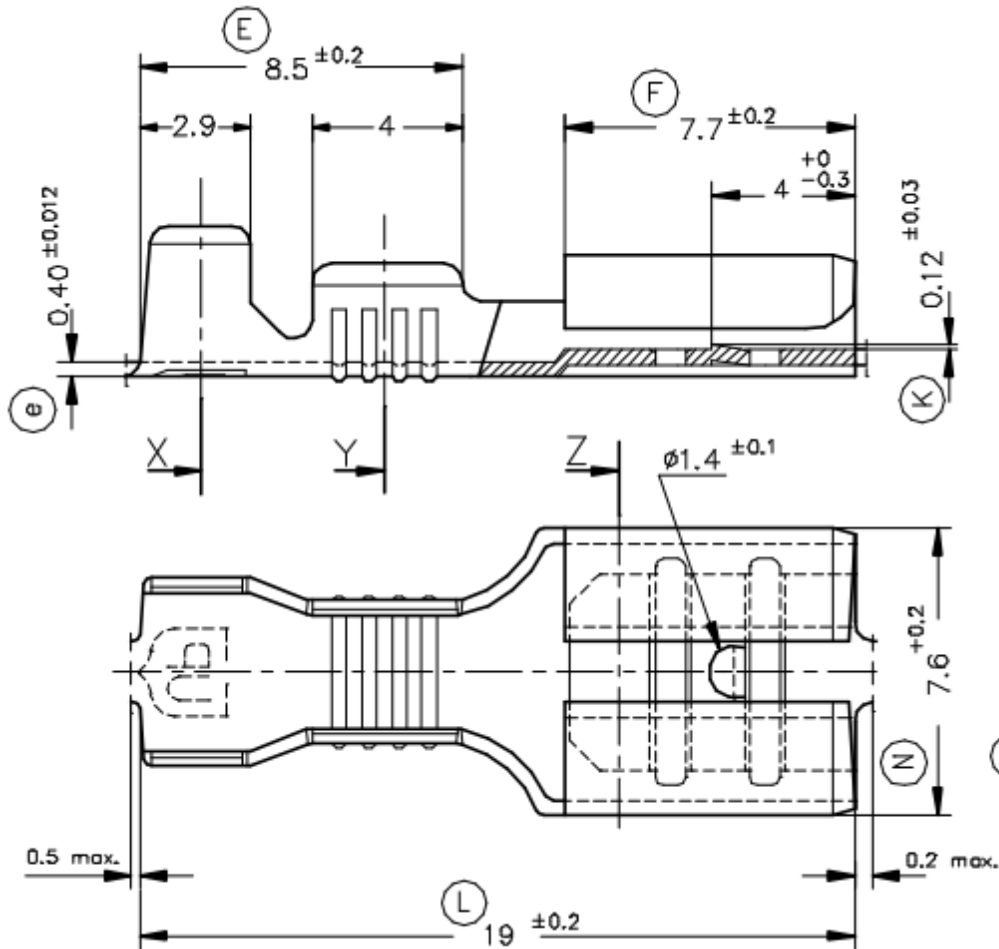
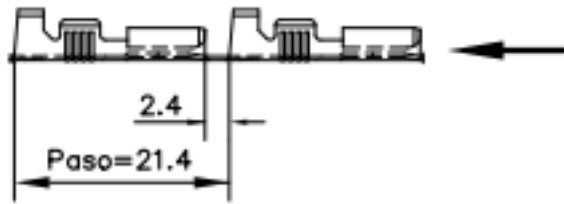


DIMENSIONS

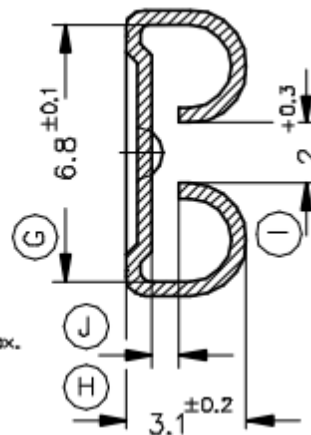
Wire range	Part nr. natural	Part nr. tin plated	Tabsize	L	F	N	Dimple/locking tab	Pcs/roll MOQ	UL
0,5~1,0	02-001-MS-ZA	02-001-MS-TA	6,3x0,8	19,0	7,7	7,6	dimple	8.000	✓
1,0~2,5	02-002-MS-ZA	02-002-MS-TA						7.000	✓
2,5~6,0	02-003-MS-ZA	02-003-MS-TA						5.000	✓
0,5~1,0	02-001-ML-ZA	02-001-ML-TA	6,3x0,8	19,0	7,7	7,6	dimple	1.000	✓
1,0~2,5	02-002-ML-ZA	02-002-ML-TA						✓	
2,5~6,0	02-003-ML-ZA	02-003-ML-TA						✓	

CRIMPING PARAMETERS & PULL-OUT FORCE

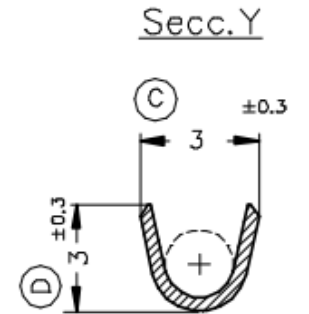
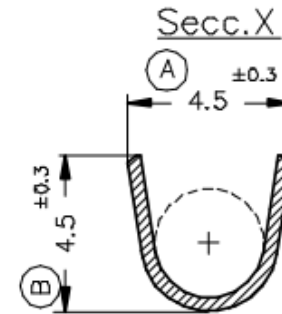
Terminal	Wire section (± 10%)	Conductor			Insulator	Pull-out force (N)
		Height (mm)	Width (mm)	Width (mm)		
02-001-Mx-xA	0,50 mm ²	1,34 (± 0,03)	2,38 (± 0,03)	3,49 (± 0,10)	56N@60s	
	0,75 mm ²	1,44 (± 0,05)	2,39 (± 0,05)	3,50 (± 0,10)	84N@60s	
	1,00 mm ²	1,54 (± 0,05)	2,39 (± 0,05)	3,51 (± 0,10)	108N@60s	
02-002-Mx-xA	1,00 mm ²	1,55 (± 0,05)	3,04 (± 0,05)	4,07 (± 0,10)	108N@60s	
	1,50 mm ²	1,70 (± 0,05)	3,04 (± 0,05)	4,07 (± 0,10)	150N@60s	
	2,00 mm ²	1,80 (± 0,05)	3,05 (± 0,05)	4,09 (± 0,10)	150N@60s	
02-003-Mx-xA	2,50 mm ²	1,90 (± 0,05)	3,06 (± 0,05)	4,13 (± 0,10)	230N@60s	
	2,50 mm ²	2,15 (± 0,05)	3,96 (± 0,05)	6,04 (± 0,10)	230N@60s	
	3,00 mm ²	2,25 (± 0,05)	3,97 (± 0,05)	6,10 (± 0,10)	≥ 250N	
	4,00 mm ²	2,35 (± 0,05)	3,99 (± 0,05)	6,05 (± 0,10)	310N@60s	
	6,00 mm ²	2,70 (± 0,05)	4,02 (± 0,05)	6,05 (± 0,10)	360N@60s	



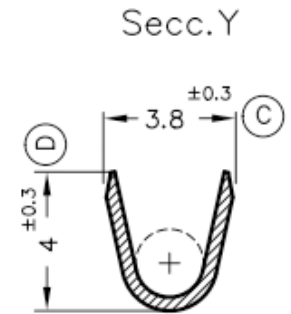
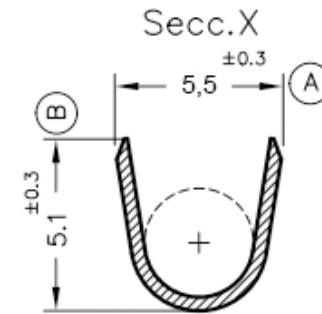
Secc. Z



0,5-1,0 mm²



1,0-2,5 mm²



2,5-6,0 mm²

