

OPEN BARREL FEMALE DISCONNECTOR - 6.3 TAB

PART NR.

See dimensions table

- MS on strip
- ML loose piece (pre-rolled)

COUNTRY OF ORIGIN

Spain

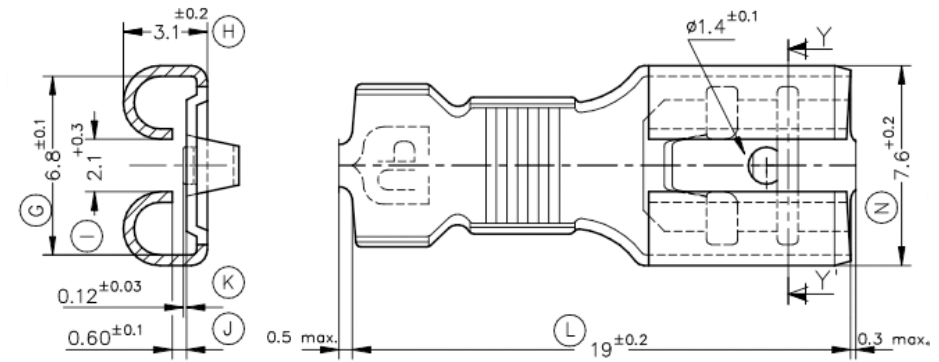
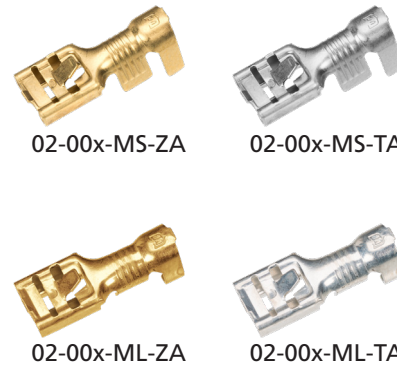
STANDARDS

- REACH and RoHS compliant
- DIN 46340
- UL listed

TECHNICAL SPECIFICATIONS

- Material: Brass, with or without tin plating
- Max. temperature: Natural 110 °C
tin plated 120 °C
- Max. rated current: 0,50 mm² 8A
0,75 mm² 10A
1,00 mm² 12A
1,50 mm² 16A
2,50 mm² 20A
4,00 mm² 26A
6,00 mm² 34A

PHOTO / TECHNICAL DRAWING



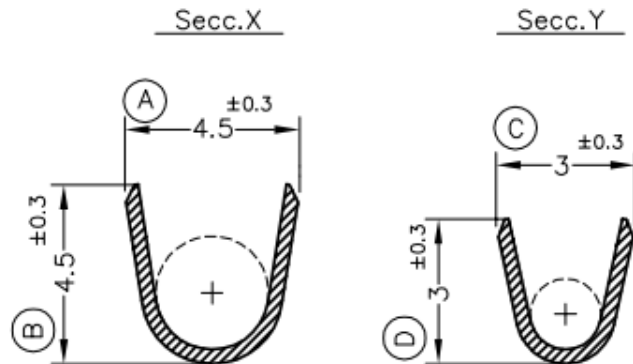
DIMENSIONS

Wire range	Part nr. natural	Part nr. tin plated	Tabsize	L	F	N	Dimple/locking tab	Pcs/roll MOQ	UL
0,5~1,0	02-005-MS-ZA	02-005-MS-TA	6,3x0,8	19,0	7,7	7,6	dimple/locking tab	8.000	✓
1,0~2,5	02-007-MS-ZA	02-007-MS-TA						7.000	✓
2,5~6,0	02-009-MS-ZA	02-009-MS-TA						4.000	✓
0,5~1,0	02-005-ML-ZA	02-005-ML-TA	6,3x0,8	19,0	7,7	7,6	dimple/locking tab	1.000	✓
1,0~2,5	02-007-ML-ZA	02-007-ML-TA						✓	
2,5~6,0	02-009-ML-ZA	02-009-ML-TA						✓	

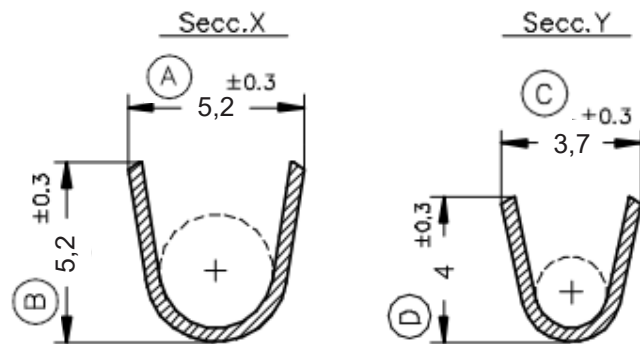
CRIMPING PARAMETERS & PULL-OUT FORCE

Terminal	Wire section (± 10%)	Conductor Insulator			Pull-out force (N)
		Height (mm)	Width (mm)	Width (mm)	
02-005-Mx-xA	0,50 mm ²	1,34 (± 0,04)	2,35 (± 0,03)	3,40 (± 0,15)	> 90N
	0,75 mm ²	1,44 (± 0,04)	2,37 (± 0,05)	3,40 (± 0,15)	> 130N
	1,00 mm ²	1,54 (± 0,04)	2,39 (± 0,05)	3,40 (± 0,15)	> 170N
02-007-Mx-xA	1,00 mm ²	1,55 (± 0,05)	4,09 (± 0,05)	4,00 (± 0,10)	> 170N
	1,50 mm ²	1,70 (± 0,05)	4,10 (± 0,05)	4,00 (± 0,10)	> 210N
	2,00 mm ²	1,80 (± 0,05)	4,11 (± 0,05)	4,00 (± 0,10)	> 210N
02-009-Mx-xA	2,50 mm ²	1,90 (± 0,05)	4,12 (± 0,05)	4,00 (± 0,10)	> 260N
	2,50 mm ²	2,15 (± 0,05)	3,96 (± 0,05)	6,04 (± 0,10)	> 300N
	4,00 mm ²	2,35 (± 0,05)	3,99 (± 0,05)	6,04 (± 0,10)	> 400N
	6,00 mm ²	2,70 (± 0,05)	4,02 (± 0,05)	6,05 (± 0,10)	> 550N

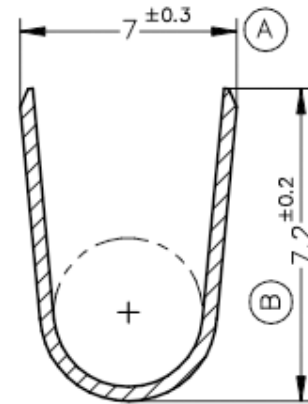
0,5-1,0 mm²



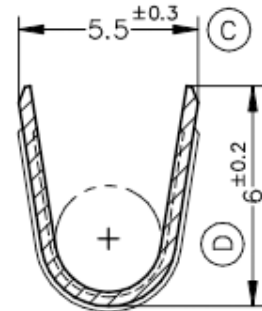
1,0-2,5 mm²



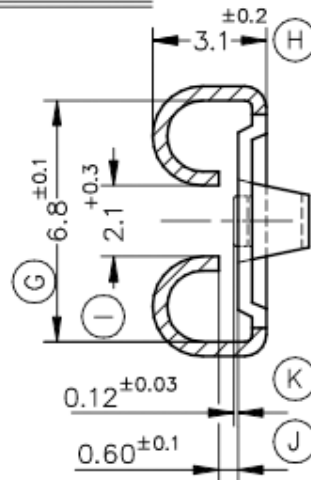
Secc. X-X'



Secc. Z-Z'



Secc. Y-Y'



COMBINACION DOBLE ENGASTADURA		CABLE SECCION MAYOR ARRIBA				
mm ²	1.0	1.5	2.5	4	5	
1.0			X	X	X	
1.5		X	X	X		
2.5			X			

