

OPEN BARREL MALE DISCONNECTOR - 6.3 TAB

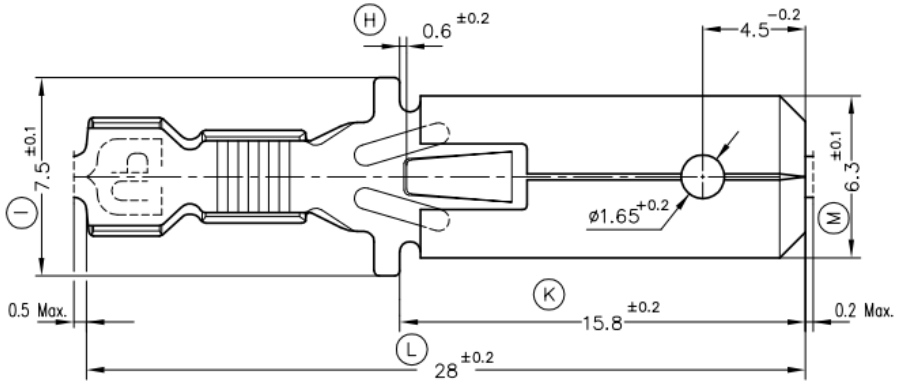
PART NR.
See dimensions table
MS on strip
ML loose piece

COUNTRY OF ORIGIN
Spain

STANDARDS
REACH and RoHS compliant
DIN 46343
UL listed (except 01-001-MS-xA)

TECHNICAL SPECIFICATIONS
Material: Brass, with or without tin plating
Max. temperature: Natural 110 °C tin plated 120 °C
Max. rated current: 0,50 mm² 8A
0,75 mm² 10A
1,00 mm² 12A
1,50 mm² 16A
2,50 mm² 20A
4,00 mm² 26A
6,00 mm² 34A

PHOTO / TECHNICAL DRAWING

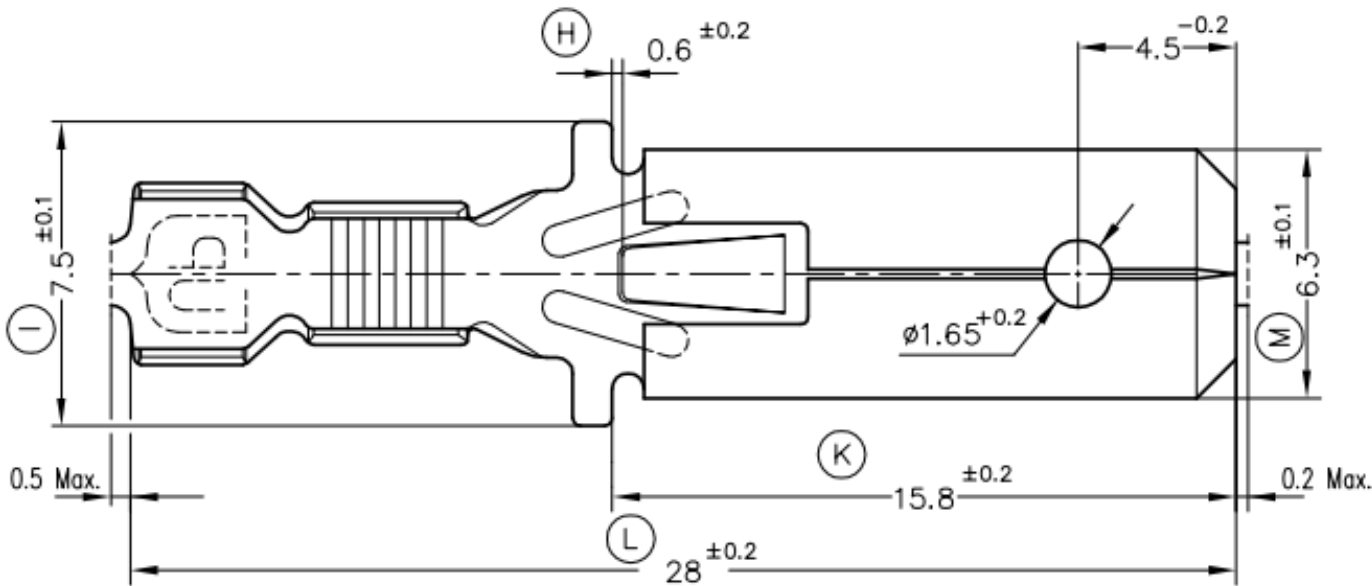
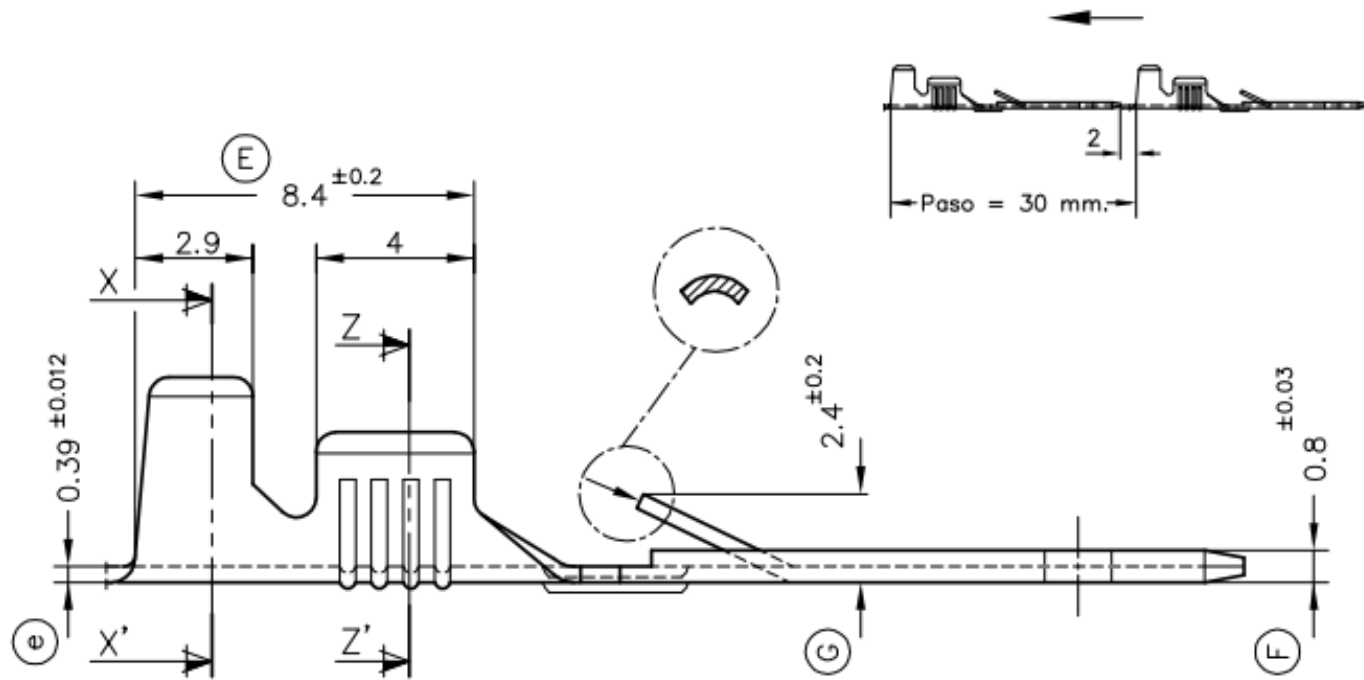


DIMENSIONS

Wire range	Part nr. natural	Part nr. tin plated	Tabsize	L	K	M	Dimple/locking tab	Pcs/roll	UL
0,5~1,0	01-001-MS-ZA	01-001-MS-TA	6,3x0,8	28,0	15,8	6,3	dimple hole/locking tab	6.000	
1,0~2,5	01-002-MS-ZA	01-002-MS-TA						5.000	✓
2,5~6,0	01-003-MS-ZA	01-003-MS-TA						3.500	✓
0,5~1,0	01-001-ML-ZA	01-001-ML-TA	6,3x0,8	28,0	15,8	6,3	dimple hole/locking tab	1.000	✓
1,0~2,5	01-002-ML-ZA	01-002-ML-TA						✓	
2,5~6,0	01-003-ML-ZA	01-003-ML-TA						✓	

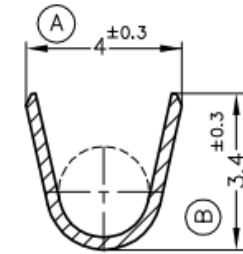
CRIMPING PARAMETERS & PULL-OUT FORCE

Terminal/wire range	Wire section (± 10%)	Conductor			Insulator	Pull-out force (N)
		Height (mm)	Width (mm)	Width (mm)		
01-001-Mx-xA 0,5~1,0	0,50 mm ²	1,35 (± 0,03)	2,09 (± 0,03)	2,95 (± 0,10)	56N@60s	
	0,75 mm ²	1,45 (± 0,05)	2,09 (± 0,05)	2,98 (± 0,10)	84N@60s	
	1,00 mm ²	1,55 (± 0,05)	2,11 (± 0,05)	3,00 (± 0,10)	108N@60s	
01-002-Mx-xA 1,0~2,5	1,00 mm ²	1,65 (± 0,05)	2,86 (± 0,05)	4,00 (± 0,10)	108N@60s	
	1,50 mm ²	1,75 (± 0,05)	2,87 (± 0,05)	4,00 (± 0,10)	150N@60s	
	2,00 mm ²	1,90 (± 0,05)	2,88 (± 0,05)	4,00 (± 0,10)	150N@60s	
	2,50 mm ²	2,00 (± 0,05)	2,90 (± 0,05)	4,00 (± 0,10)	230N@60s	
01-003-Mx-xA 2,5~6,0	2,50 mm ²	2,05 (± 0,05)	4,01 (± 0,05)	5,31 (± 0,10)	230N@60s	
	4,00 mm ²	2,25 (± 0,05)	4,03 (± 0,05)	5,40 (± 0,10)	310N@60s	
	6,00 mm ²	2,40 (± 0,05)	4,05 (± 0,05)	5,43 (± 0,10)	360N@60s	

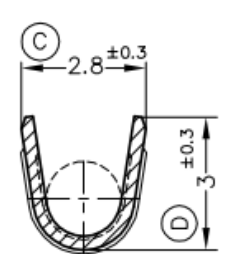


0,5-1,0 mm² (01-001-MS-TA)

Secc. X-X'

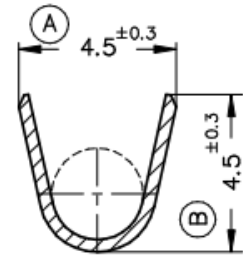


Secc. Z-Z'

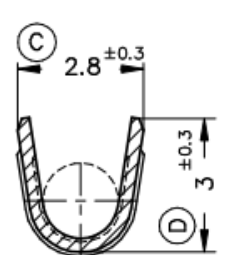


0,5-1,0 mm² (01-001-ML-TA)

Secc. X-X'

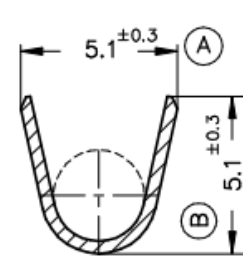


Secc. Z-Z'

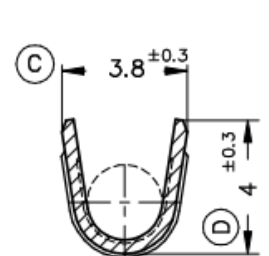


1,0-2,5 mm²

Secc. X-X'

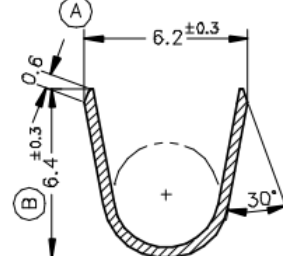


Secc. Z-Z'



2,5-6 mm²

SECC.X



SECC.Z

