

OPEN BARREL MALE DISCONNECTOR - 2.8 TAB DIMPLE ONLY

PART NR.

See dimensions table

MS on strip

ML loose piece

COUNTRY OF ORIGIN

Spain

STANDARDS

REACH and RoHS compliant

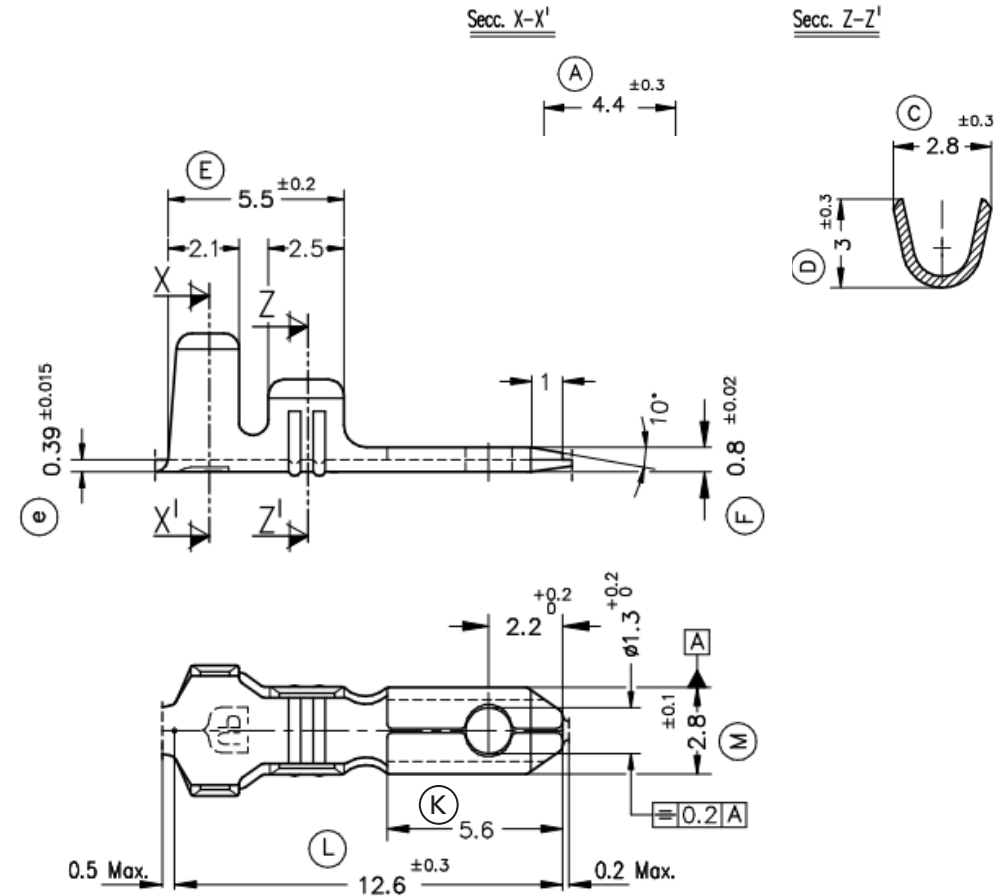
TECHNICAL SPECIFICATIONS

Material: Brass, with or without tin plating

Max. temperature: Natural 110 °C, tin plated 120 °C

Max. rated current: 0,50 mm² 8A
0,75 mm² 10A
1,00 mm² 12A

PHOTO / TECHNICAL DRAWING



DIMENSIONS

Wire range	Part nr. natural	Part nr. tin plated	Tab-size	L	K	M	Dimple/locking tab	MOQ	UL
0,5~1,0	01-007-ML-ZA	01-007-ML-TA	2,8x0,8	12,6	5,6	2,8	dimple hole	1.000	

CRIMPING PARAMETERS & PULL-OUT FORCE

Terminal	Wire section (± 10%)	Conductor			Insulator	Pull-out force (N)
		Height (mm)	Width (mm)	Height (mm)		
01-007-ML-xA	0,50 mm ²	1,35	2,34	3,03	3,05	104N
	0,75 mm ²	1,45	2,36	3,09	3,06	157N
	1,00 mm ²	1,55	2,36	3,22	3,07	177N