

PART NR.

See dimensions table

MS on strip

ML loose piece

COUNTRY OF ORIGIN

Spain

STANDARDS

REACH and RoHS compliant

TECHNICAL SPECIFICATIONS

Material: Brass, with or without tin plating

Max. temperature: Natural 110 °C, tin plated 120 °C

Max. rated current: 1,00 mm² 12A
1,50 mm² 16A
2,50 mm² 20A

PHOTO / TECHNICAL DRAWING

02-953-ML-ZA

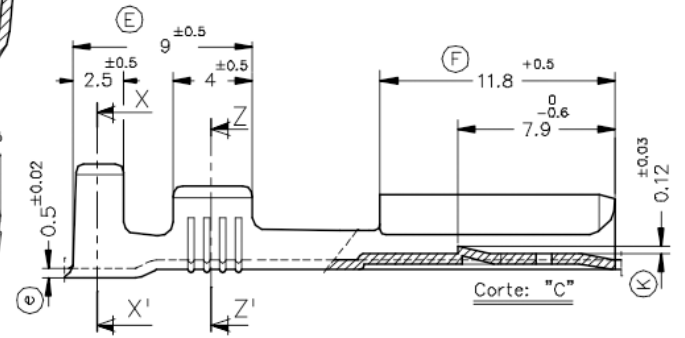
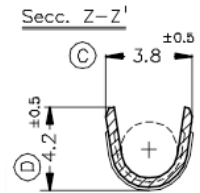
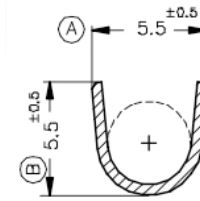


02-953-ML-TA

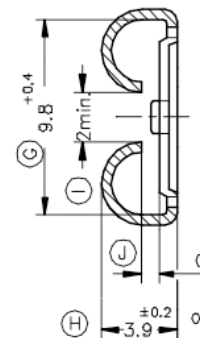


OPEN BARREL FEMALE DISCONNECTOR - 9.5 TAB DIMPLE ONLY

Secc. X-X'



Secc. Y-Y'



DIMENSIONS

Wire range	Part nr. natural	Part nr. tin plated	Tab-size	L	F	N	Dimple/locking tab	MOQ	UL
1,0~2,5	02-953-ML-ZA	02-953-ML-TA	9,5x1,2	27,0	11,8	10,8	dimple	1.000	

CRIMPING PARAMETERS & PULL-OUT FORCE

Wire section (± 10%)	Conductor		Insulator		Pull-out force (N)
	Height (mm)	Width (mm)	Height (mm)	Width (mm)	
1,00 mm ²	1,85 (± 0,05)	2,91	3,65	4,15	> 180N
1,50 mm ²	1,95 (± 0,05)	2,93	4,00	4,18	> 220N
2,50 mm ²	2,15 (± 0,05)	2,95	4,20	4,23	> 270N