

**PART NR.**

See dimensions table

MS on strip

ML loose piece

**COUNTRY OF ORIGIN**

Spain

**STANDARDS**

REACH and RoHS compliant

DIN 46247

UL listed

**TECHNICAL SPECIFICATIONS**

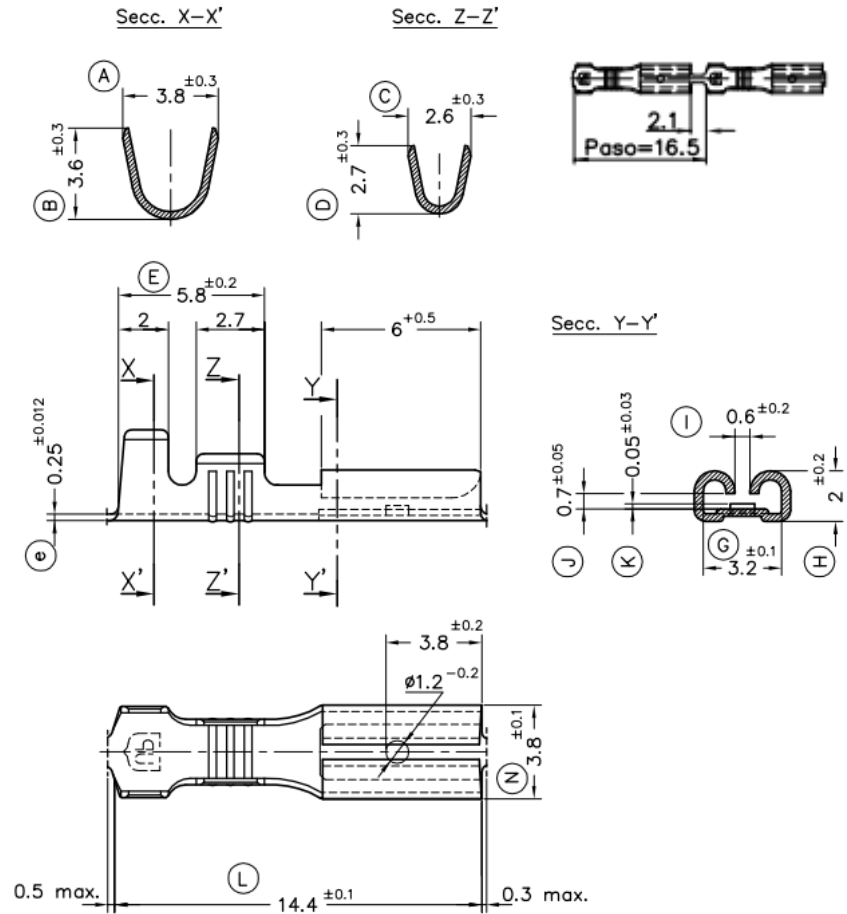
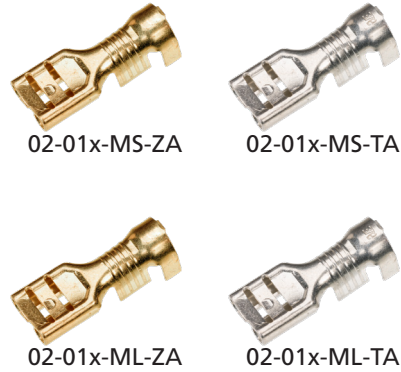
**Material:** Brass, with or without tin plating

**Max. temperature:** Natural 110 °C, tin plated 120 °C

**Max. rated current:** 0,50 mm<sup>2</sup> 8A  
0,75 mm<sup>2</sup> 10A  
1,00 mm<sup>2</sup> 12A

**OPEN BARREL FEMALE DISCONNECTOR - 2.8 TAB DIMPLE ONLY**

**PHOTO / TECHNICAL DRAWING**



**DIMENSIONS**

Wire range	Part nr. natural	Part nr. tin plated	Tabsize	L	F	N	J	Dimple/locking tab	Pcs/roll MOQ	UL
0,5-1,0	02-010-MS-ZA	02-010-MS-TA	2,8x0,5	14,4	6	3,8	0,4	dimple	15.000	✓
	02-011-MS-ZA	02-011-MS-TA	2,8x0,8				0,7			✓
0,5-1,0	02-010-ML-ZA	02-010-ML-TA	2,8x0,5	14,4	6	3,8	0,4	dimple	1.000	✓
	02-011-ML-ZA	02-011-ML-TA	2,8x0,8				0,7			✓

**CRIMPING PARAMETERS & PULL-OUT FORCE**

Terminal	Wire section (± 10%)	Conductor			Insulator	Pull-out force (N)
		Height (mm)	Width (mm)	Width (mm)		
02-010-Mx-xA 02-011-Mx-xA	0,50 mm <sup>2</sup>	1,00 (± 0,03)	2,03 (± 0,03)	3,01 (± 0,10)	56N@60s	
	0,75 mm <sup>2</sup>	1,10 (± 0,05)	2,04 (± 0,05)	3,01 (± 0,10)	84N@60s	
	1,00 mm <sup>2</sup>	1,20 (± 0,05)	2,05 (± 0,05)	3,02 (± 0,10)	108N@60s	