

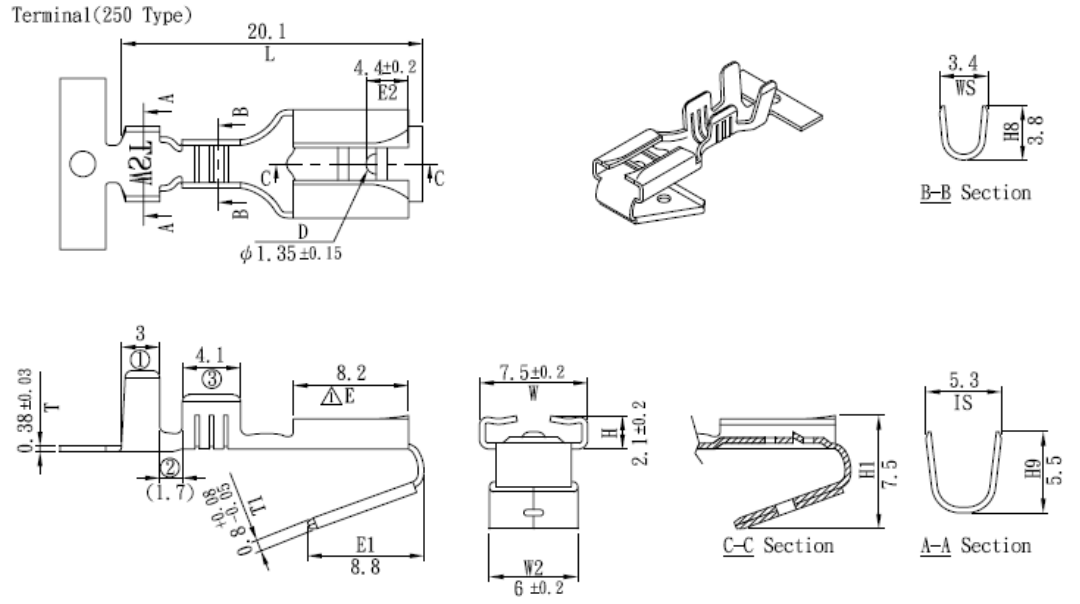
**OPEN BARREL PIGGY BACK - LOOSE PIECE**

**PART NR.**  
 See dimensions table  
**MS** on strip  
**ML** loose piece

**COUNTRY OF ORIGIN**  
 Taiwan

**STANDARDS**  
 REACH and RoHS compliant

**PHOTO / TECHNICAL DRAWING**



**DIMENSIONS**

Wire range	Part nr. natural	Part nr. tin plated	Tab-size	L	E / E1	W	Dimple/locking tab	MOQ	UL
1,0~2,5	07-001-ML-ZA	07-001-ML-TA	6,3x0,8	20,1	8,2 / 8,8	7,5	dimple + dimple hole	1.000	

**TECHNICAL SPECIFICATIONS**

Material: Brass, with or without tin plating  
 Max. temperature: 105 °C  
 Max. rated current: 1,0 mm<sup>2</sup> 7A  
 1,5 mm<sup>2</sup> 10A  
 2,5 mm<sup>2</sup> 15A